



Deluxe [®]wood

CABINETRY

Deluxewoodllc.com
Tel: 475-655-2687
info@deluxewoodcabinetry.com
2024 Edition



TABLE OF CONTENTS

03 About Us

04 Become Our Dealer

05 Door Styles & Finishes

08 Finest Furniture Finishes

09 Superior Construction

10 Cabinet Dimensions

12 Warranty

15 Maintenance & Care

17 Base Cabinets

25 Wall Cabinets

43 Pantry & Oven Cabinets

46 Storage & Organization

49 Valance, Corbel & Posts

51 Bathroom Vanities

54 Dummy Doors, Drawers & Replacements

56 Panels & Fillers

62 Moldings





ABOUT US

QUALITY SERVICE IN CABINETRY

Deluxewood Cabinetry has always maintained the goal of making a house, a home. We offer high-quality home decor and solid wood ready-to-assemble (RTA) kitchen and bath cabinetry to dealers across North America.

We currently have two large warehouses strategically positioned to efficiently cater to the diverse cabinet purchasing needs of customers. These Warehouses are in West Haven CT, and Bridgeport CT.

At Deluxewood Cabinetry we take pride in maintaining quality control with strict supervision over cabinet assembly. Our trained and experienced carpenters are highly educated in using the latest high-tech cabinet machinery and are dedicated to achieving the best production quality.

We have styles ranging from modern to contemporary. Some of our bestsellers include white and Grey Shaker-Style cabinets, all with finishes that stand the test of time.

Deluxewood Cabinetry makes cabinetry easy. Our assembly and distribution process is quick, customizable, and quality assured. Whether it be a busy home with family and friends, or a space to house independence, we cater to it. Make Deluxewood Cabinetry a part of the family, and help make a house a home.

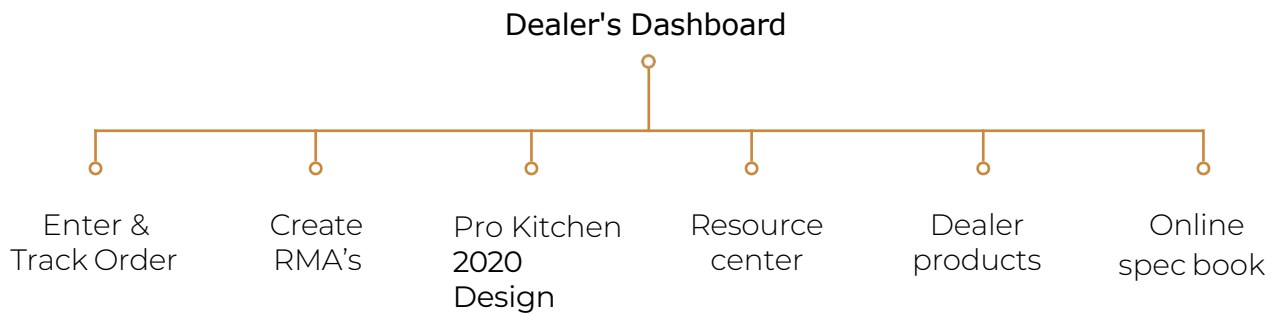
Become Our Dealer

Deluxewood Express - Online Ordering

Our online ordering system is a tool specifically for our dealers. Once you register as a dealer, you will have a user-friendly, customized online dashboard.



After logging in to our dealer's dashboard, you can conveniently search for inventory and its information, place an order, and track your order progress, all in one place.



Deluxewood Cabinetry caters to both individual households and large-scale builders, customizing your orders to specifically meet your needs.

| Door Styles & Finishes

Deluxwood Cabinetry brings your dream kitchen to life. Whether your taste is transitional, contemporary, or perhaps paint to stain, we will have what you're looking for. Whichever door combination you choose, you will always see the same high-quality, dream-come-true results.

Doors: Our compact doors are built with a soft-close mechanism and integrated with concealed six-way adjustable hinges. Each has solid wood door frames with 3/8" MDF center panels. Doors are full overlay with mortise and tenon construction.

Drawers: Our 5-piece drawers have recessed panel fronts. Each is a 5/8" solid wood drawer box made with dovetail construction. Drawers are built with DTC soft-close full extension and integrated with concealed drawer runners.

Boxes: Our boxes are carefully crafted with dovetail construction. Each are constructed with 1/2" select birch plywood. Boxes are built with 3/4" adjustable shelves, edge-banded in a wood veneer finished interior.

Transitional Style



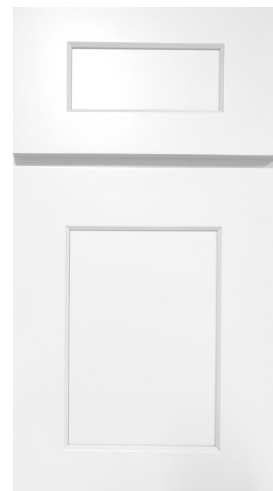
Liberty Shaker
Ashleaf



Liberty Shaker
Grey



Liberty Shaker
Light Grey



Liberty Shaker
White



Liberty Beveled
Light Grey



Liberty Beveled
White

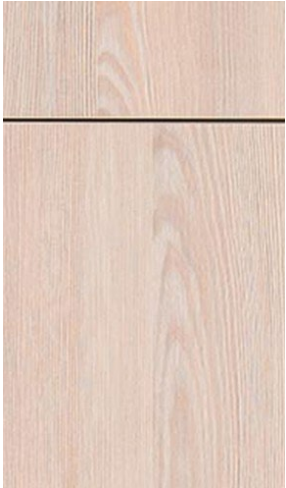
Modern Style



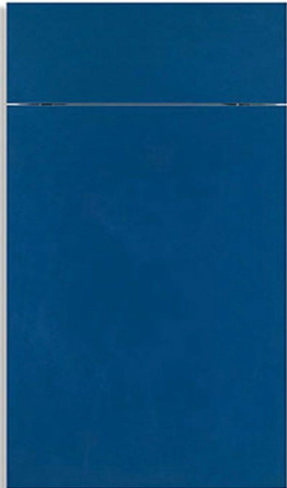
Alvic-Luxe
Cashmere-Slab



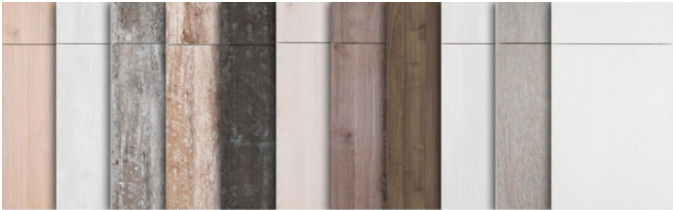
Alvic-Luxe
Blanco-Slab



Alvic-Syncron
Ida 02 Slab



Alvic-Luxe Azul
Indigo - Slab



** More colors coming soon.*

FINEST FURNITURE FINISHES

Your choice of cabinetry breathes life into your space and is a reflection of your lifestyle. Some homes require modern interiors, where others are more suited for a country feel. Start with your style first, then choose your cabinet door style that compliments it.

As for popularity, flat door panels are in because of their style simplicity and their ability to blend in a variety of design schemes. The “Shaker” style door is the most commonly chosen among the flat door panels due to their clean lines and visual appeal.

To this day, painted doors are still among the most popular cabinets on the market. At Deluxewood Cabinetry, we use the highest-grade paint that Sherwin Williams offers. Paint tones may differ slightly, depending on doors, drawer fronts, and face frames. That being said, there are a few other things to note before you make your decision.

A home is meant to be lived in, therefore hand prints, fingerprints, daily-use residue, marks and chips in the paint require more maintenance on painted doors. It’s also important to remember that with temperature changes, wood naturally expands and contracts, which can cause hairline cracks in the finish and the joints, specifically around miter joints. Because the expansion and contraction of wood is common in the industry, Deluxewood Cabinetry uses MDF (Medium-Density Flatboard) for the center panels in all painted cabinetry to help with stability.

We recommend you order sample doors to see how it will look in your space with the changes in lighting and temperature. Remember, the kitchen is the heart of the home, so be sure to consider not just the look, but also the feel of the cabinetry you want to choose.



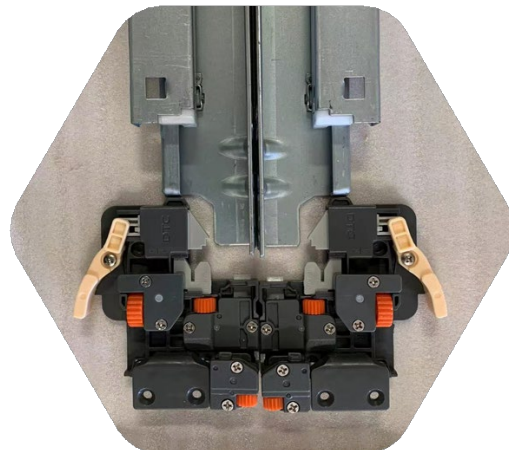
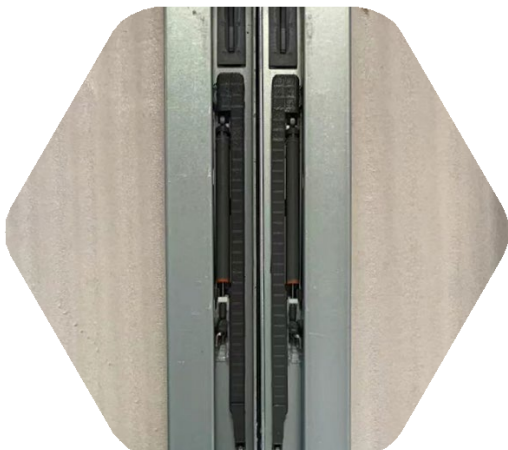
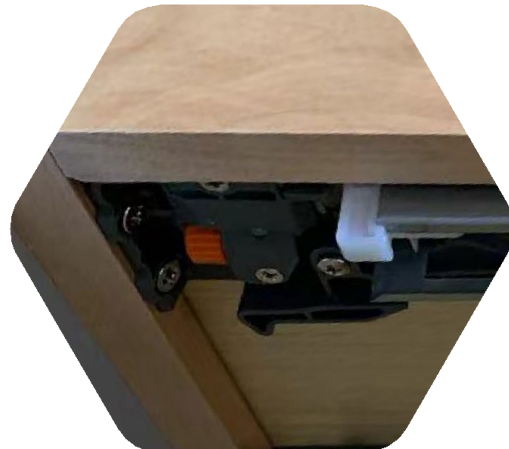
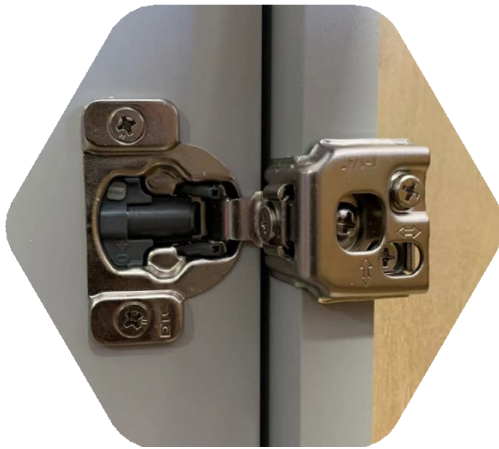
| SUPERIOR CONSTRUCTION

Quality control is our top priority. Our materials, carpenters, and machinery are all top-tier and strictly supervised. If there are design changes or concerns from our customers, we are able to respond with our ad hoc quality control.

Our warehouse is always fully-stocked with ready-to-assemble (RTA) cabinetry and vanities, making your orders ready for pick-up or delivery quickly and easily.

We are nothing without our customers, therefore all of our cabinets at Deluxewood Cabinetry and semi-customizable, ready-to-assemble (RTA), and ready-to-build (RTB). Construction is taken seriously at Deluxewood Cabinetry, and our products are finely crafted with solid wood doors and frames, 1/2" thick plywood boxes, soft-close metal door hinges, 3/4" to full extension drawers with soft-close metal glides, and more.

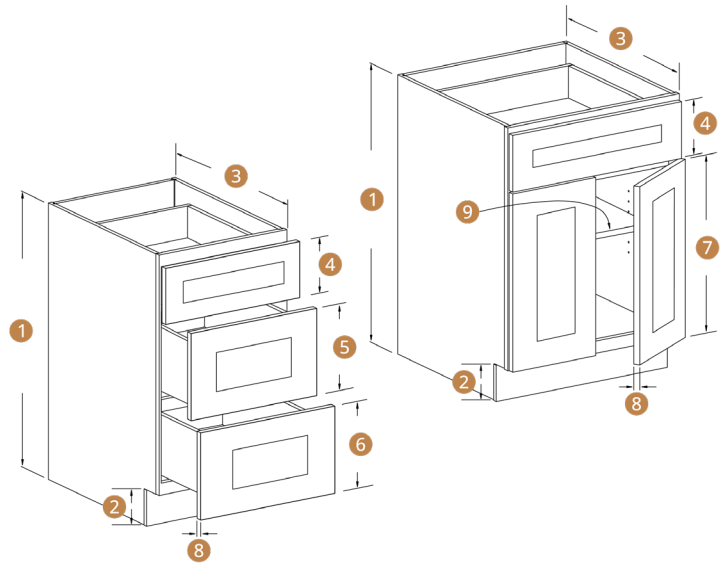
We strive to continuously improve and expand our product quality, designs, and styles, therefore the functionality may vary slightly between existing and new products. Please continue to check back with Deluxewood Cabinetry for our latest styles and updates.



CABINET DIMENSIONS

KITCHEN CABINET

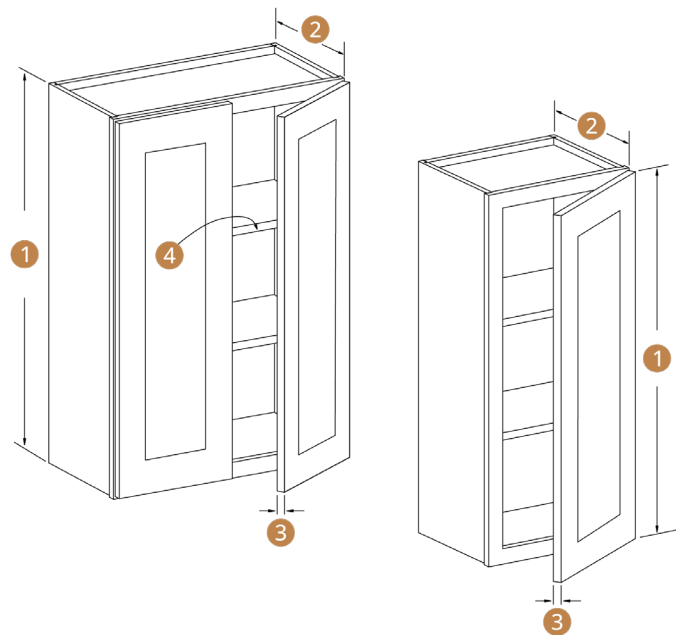
- 01 Standard 34-1/2"
- 02 Standard 4-1/2"
- 03 Standard 24"
- 04 Standard 6-2/3"
- 05 11-1/3"
- 06 11-1/3"
- 07 22-2/3"
- 08 3/4"
- 09 Standard 18" depth shelf



WALL CABINET

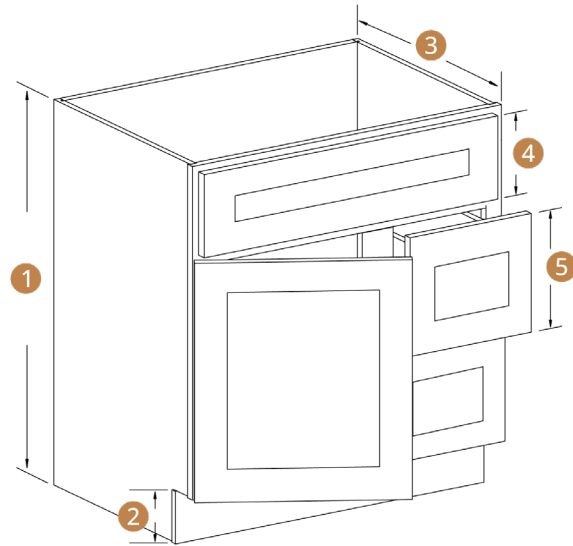
- 01 Standard wall cabinets 30", 36", 42"
- 02 Standard 12"
- 03 Standard 3/4"
- 04 Depth 10-2/3", thickness 3/4"

Note: 6 way adjustable hinge. Unscrew and switch the hinge side to change the door opening direction.



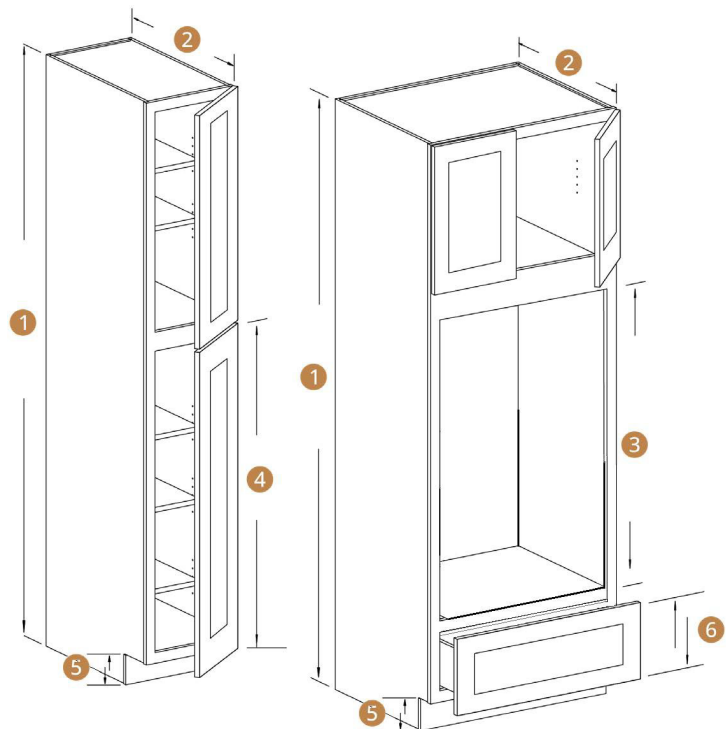
VANITY CABINET

- 01 Standard 34-1/2"
- 02 Standard 4-1/2"
- 03 Standard 21"
- 04 Standard 6-2/3"
- 05 11-1/3"



TALL CABINET

- 01 Standard 84", 90", 96"
- 02 Standard 24"
- 03 Opening 51 1/2"
- 04 Standard 49-1/2"
- 05 Standard 4 1/2"
- 06 Standard - 11-1/3"



| WARRANTY

Part 1: Coverage of Warranty

Deluxewood Cabinetry is pleased to provide the following limited warranty on all kitchen cabinets and vanities.

This warranty doesn't cover cabinets sold or shipped outside of the US. This limited warranty is subject to all limitations, exclusions, disclaimers, and procedures set forth herein.

Deluxewood Cabinetry warrants to the original purchasing consumer and any succeeding user to whom this warranty has been assigned that all cabinets purchased from Deluxewood Cabinetry will be free from all unnatural defects in material and workmanship under normal residential use for a period of TWO (2) YEARS from the date of the original purchase from Deluxewood Cabinetry.

Part 2: Exclusions

This warranty supersedes any and all previous warranties on Deluxewood Cabinetry and constitutes the only and exclusive remedy in respect of Deluxewood Cabinetry for all defects, damages and workmanship. There are no implied warranties extending beyond the terms of this warranty.

Deluxewood Cabinetry shall not be liable for any natural wear and tear or any indirect, special, punitive, incidental or consequential costs, expenses or damages. This warranty gives you specific legal rights, and you may also have other rights, which vary from one jurisdiction to another. It is possible that one or more of the limitations and exclusions in this warranty may not apply to you.

Part 3: Limitations

This warranty shall become void if the cabinets, cabinetwork, drawer slides or hinges are modified from its original form, improperly installed or damaged prior to or during the installation, or used in any way other than for residential purposes. This warranty covers only parts and materials of the cabinets with the brand name, Deluxewood Cabinetry.

This warranty does not cover any products used or installed in connection with cabinets, including without limitation, gas or electric appliances, countertops, or plumbing fixtures. This warranty does not apply to products installed at locations where year-round environmental or temperature controls are not maintained at the same levels as those of a normal household.

This warranty shall not apply to damages caused by transportation, storage, dirt, chemicals, exposure to moisture, humidity or excessive heat or cold, nor does it cover defects arising

from normal wear and tear, misuse, neglect, accidents, alterations, improper use or lack of proper maintenance, house settling, or acts of God. No installer, retailer, distributor, agent or employee of Deluxewood Cabinetry has the authority to alter the obligations or limitations in this warranty.

Part 4: Disclaimers

The following is a brief recap of some of the characteristics of the wood and finishes on the cabinets you are about to purchase. Please read them carefully. If some of these characteristics concern you, please choose something else. We bring these characteristics to your attention so you will realize that Deluxewood Cabinetry will not be held responsible for these variations in your cabinet. It is important to note that wood products claimed as defective are most often the result of atmospheric conditions such as excess moisture and humidity.

Deluxewood Cabinetry strongly recommends testing the intended location of the products for such conditions prior to installation.

WOOD AND COLOR VARIATIONS:

Wood is a product of nature, and since no two trees are alike, cabinets may vary in color, texture and grain.

Wood characteristics naturally occurring such as variations in color, grain, mineral streaks, pinholes, and knots are not considered defects. Color variations in cabinets are also a natural occurrence due to species, age or character of cabinets, or exposure to UV light and sunlight. For these reasons, new or replacement cabinets may not match display samples or existing cabinets. This may result in overall color variations but is not considered a defect.

WOOD DOORS:

Wood by nature will undergo expansion and contraction movements year after year as it compensates and adjusts to ever changing atmospheric humidity and temperature conditions. It is very common for center panels on doors to shrink, expand or move during these transitions. Typically, the panel will return to its normal position within a year once it has adjusted to seasonal changes. It is for these same reasons that it is very common for doors to warp during these periods.

Doors that are warped up to 1/4" are not considered defective. Note: It is advisable to check if the door was properly installed, since doors that appear warped are very often the result of improper installation.

PAINTED FINISHES:

Birch is non-porous, smooth grained wood. Additionally, wood by nature undergoes periods of expansion and contraction while it adjusts to atmospheric conditions mentioned above. As such, finish stress lines may become visible on painted cabinets especially at the joints. Any such occurrence is not considered a defect.

GLAZED FINISHES:

A glazed finish by character is an uneven finish. Some edges and profiles will have a heavier hang up than others and glazing may vary from cabinet to cabinet, door to drawer and item to item. This may result in overall color variations but is not considered a defect.

Part 5: Warranty Performance

If a defect does occur within the terms and conditions of this warranty, such a defective part will be repaired or replaced by Deluxewood Cabinetry at its sole discretion. Deluxewood Cabinetry will not provide or pay for the cost of removal of defective products, transportation of defective products, repaired or replaced products or installation of repaired or replaced products.

Deluxewood Cabinetry will not be responsible for any damage to the defective, replaced, or repaired product that occurred during its shipment or transportation. If any defective item has been discontinued or is not available at the time, Deluxewood Cabinetry reserves the right to replace the item with the most similar item available in Deluxewood Cabinetry's inventory at that time.

Deluxewood Cabinetry cannot guarantee that the finish of any replacement will exactly match the finish and appearance of the defective item due to the natural aging process of wood and finishes of cabinets. Deluxewood Cabinetry may require at its discretion that the customer submit a clear photo, or that a company representative view the item being claimed before honoring this warranty.

Part 6: Claims

To submit a claim covered under this warranty, the original proof of purchase and full payment or certified true copy thereof must be provided to Deluxewood Cabinetry. Deluxewood Cabinetry will contact you once your claim has been reviewed.



MAINTENANCE & CARE

When our customers are looking to upgrade their home with beautiful new cabinetry, they are not only looking for designs and styles that complement their lifestyle, but they also want their new investment to stand the test of time. The kitchen is a busy place, so there are a few simple things you can do to protect your cabinetry and maintain its appearance.

Dust is unavoidable in any home; therefore, it is important to dust and/or vacuum your cabinetry on a regular basis. When dusting, however, we recommend you use a cloth that is moistened with water or polish, and wipe following the natural grain of the wood, not against. Wiping against the grain may cause scratches should the dust contain grit.

In any kitchen, there is going to be residue, such as splattered food, oil, or smoke, from everyday use. Residue should be wiped up with a damp cloth or a cloth containing a small amount of furniture polish. Cloths that are great for cleaning your cabinetry include clean dish towels, cheesecloth, or old t-shirts that are free from buttons or snaps that can cause scratches.

MORE DETAILS

01 Basic Cleaning:

1. Make sure the cloth that you are using to dust or wipe up stains or spills is soft, lint-free, and dampened with mild detergent, polish, or soap and warm water.
2. Don't clean against the grain, and for best results, use a "blotting" motion rather than a "wiping" motion.
3. If surfaces get wet, dry immediately with a soft, lint-free cloth.
4. If possible, avoid using a dish cloth or sponge, as detergent residue left over can harm finishes.
5. Avoid using ammonia-based cleaners and soaps with dye.

02 Basic Care

To ensure that your cabinetry not only stays with you during the many phases of life, but also remains timeless in its appearance, there are a few daily practices that you can do to help care for your cabinets long-term.

Caring for your new cabinetry doesn't have to be time-consuming. In fact, a little care can go a long way. Being consistent and proactive is your best defense against time and "wear and tear" when it comes to your cabinets.

Just remember the three NO's:

1. No Spill Left Uncleaned
2. No Moisture & Heat
3. No Abrasives

MAINTENANCE & CARE

03

Basic Care Tips

If You Spill It, Clean It

- If something is spilled, wipe it up promptly. Food spills, especially grease and oil, will come off much easier if removed right away. Water rings, spots, and spills need to be wiped up with a clean, lint-free cotton cloth to stop the moisture from leaking into the cabinetry.
- Use trays under potted plants, and check the areas around the sink, dishwasher, and any other appliance that uses water to operate to ensure there are no leaks and water is not drying on the cabinetry.

Say No to Moisture & Heat

- Avoid keeping damp dish towels or dishcloths on or over doors of the base of the cabinets for any length of time.
- Avoid using appliances that produce heat or steam, such as a tea kettle, that is directed toward any cabinetry surface.
- If you are resting something down that is hot, put a hot pad down first for protection.

Goodbye Abrasives

- Using scouring pads, steel wool, wire brushes, and powdered cleaners is the fastest way to scratch your new cabinetry.
- Oven cleaner is also extremely damaging, so avoid letting it touch any part of your cabinets.
- Do not slide anything across the surface of your cabinets.
- Use a cutting board when using knives or other sharp objects.
- When in doubt, DON'T! Harsh cleaning chemicals will not only destroy the finish, but also penetrate the surface to allow moisture and food inside.

04

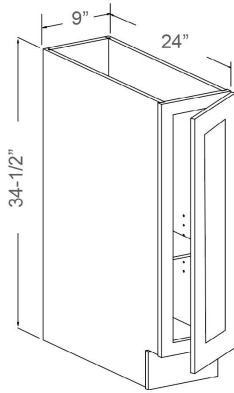
Cleaning of Glass Door Inserts:

- For more delicate parts of your cabinets, such as glass door inserts, use a household glass cleaner with a soft, clean cloth.
- Apply the solution to the cloth rather than on the glass to avoid excess glass cleaner dripping down into the cabinet joints.
- Never use full strength ammonia. Always dilute.

BASE CABINETS



BASE CABINET WITH A FULL HEIGHT DOOR



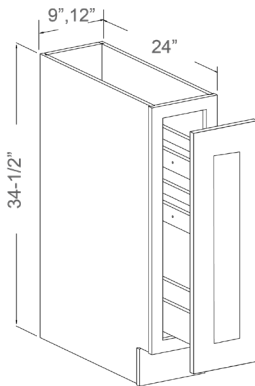
Features

- 1 Doors
- 1 Adjustable Shelf

General Info

Item Code	Dimension	Weight
B09FH	(WxHxD) 9 x 34-1/2 x 24 Inch	19 KG

SPICE PULL-OUT BASE CABINET



Features

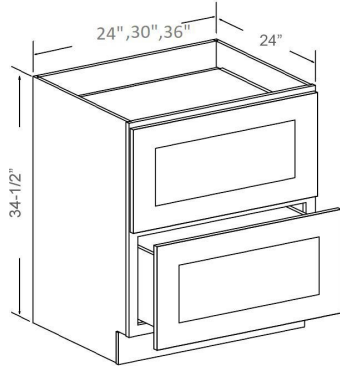
- 1 Door
- 3 Fixed Pull-Out Shelves

General Info

Item Code	Dimension (WxHxD)	Weight
B09SP	9 x 34-1/2 x 24 Inch	19 KG
B12SP	12 x 34-1/2 x 24 Inch	21 KG

Notes: Soft close ball bearing side glides not included

DRAWER BASE WITH 2 DRAWERS



Features

2 Drawers
No Shelf

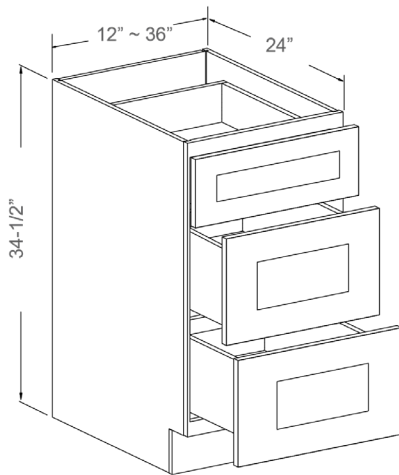
General Info

Item Code	Dimension (WxHxD)	Weight
2DB24	24 x 34-1/2 x 24 Inch	42 KG
2DB27	27 x 34-1/2 x 24 Inch	45 KG
2DB30	30 x 34-1/2 x 24 Inch	48 KG
2DB36	36 x 34-1/2 x 24 Inch	51 KG

Description

2 Deep Drawers with Solid Wood Drawer Box

DRAWER BASE WITH 3 DRAWERS



Features

3 Drawers
No Shelf

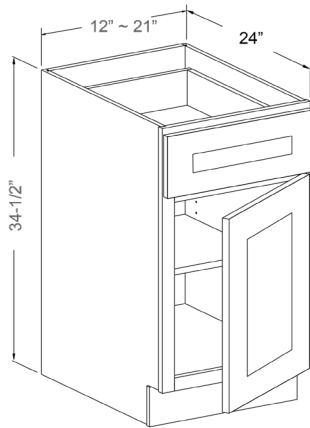
General Info

Item Code	Dimension (WxHxD)	Weight
3DB12	12 x 34-1/2 x 24 Inch	31 KG
3DB15	15 x 34-1/2 x 24 Inch	34 KG
3DB18	18 x 34-1/2 x 24 Inch	37 KG
3DB21	21 x 34-1/2 x 24 Inch	39 KG
3DB24	24 x 34-1/2 x 24 Inch	42 KG
3DB30	30 x 34-1/2 x 24 Inch	48 KG
3DB36	36 x 34-1/2 x 24 Inch	54 KG

Description

1 Standard Drawer and 2 Deep Drawers
with Solid Wood Drawer Box

BASE CABINET WITH 1 DRAWER & 1 DOOR



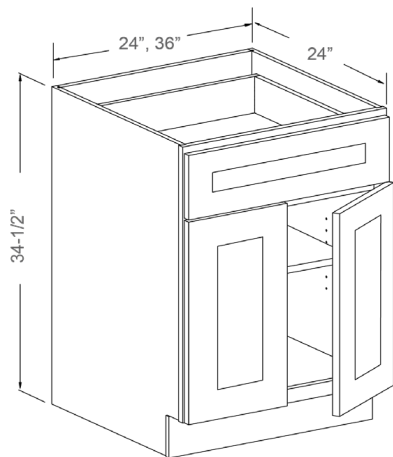
Features

- 1 Drawer
- 1 Doors
- 1 Adjustable Shelf

General Info

Item Code	Dimension (WxHxD)	Weight
B12	12 x 34-1/2 x 24 Inch	20 KG
B15	15 x 34-1/2 x 24 Inch	22 KG
B18	18 x 34-1/2 x 24 Inch	24 KG
B21	21 x 34-1/2 x 24 Inch	25 KG

BASE CABINET WITH 1 DRAWER & 2 DOORS

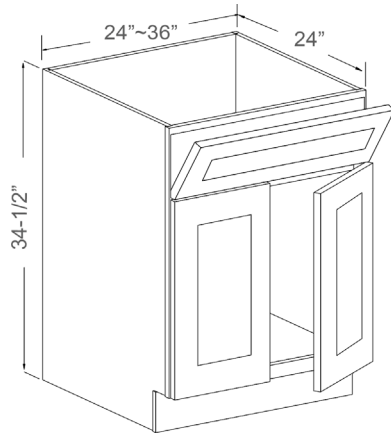


Features

- 1 Drawer
- 2 Doors
- 1 Adjustable Shelf

General Info

Item Code	Dimension (WxHxD)	Weight
B24	24 x 34-1/2 x 24 Inch	28 KG
B27	27 x 34-1/2 x 24 Inch	31 KG
B30	30 x 34-1/2 x 24 Inch	33 KG
B33	33x 34-1/2 x 24 Inch	35 KG
B36	36x 34-1/2 x 24 Inch	37 KG



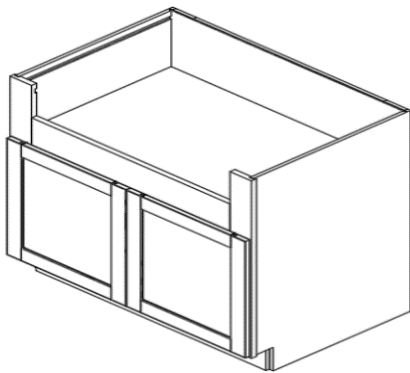
Features

- 1 False Drawer Fixed to Frame
- 2 Doors
- No Shelf

General Info

Item Code	Dimension (WxHxD)	Weight
SB24	24 x 34-1/2 x 24 Inch	20 KG
SB27	27 x 34-1/2 x 24 Inch	21 KG
SB30	30 x 34-1/2 x 24 Inch	22 KG
SB33	33 x 34-1/2 x 24 Inch	23 KG
SB36	36 x 34-1/2 x 24 Inch	24 KG

FARM SINK BASE WITH 2 DOORS



Features

- 2 Doors
- No Shelf

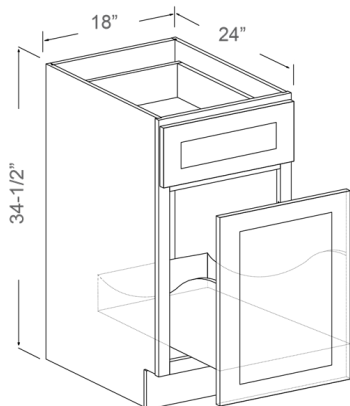
General Info

Item Code	Dimension (WxHxD)	Weight
FS30	30 x 34-1/2 x 24 Inch	20 KG
FS33	33 x 34-1/2 x 24 Inch	21 KG
FS36	36 x 34-1/2 x 24 Inch	22 KG

Description

For Farm Style Sink Only

WASTE BIN BASE CABINET



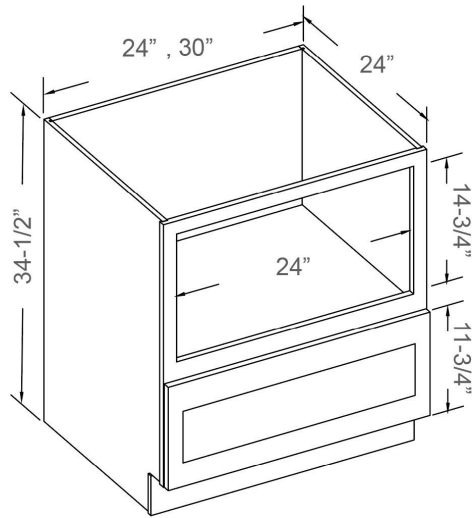
Features

- 1 Standard Drawer with Solid Wood Drawer Box
- 1 Door
- 2 Large Bin Cut-Outs with 2 Plastic Waste Bins

General Info

Item Code	Dimension (WxHxD)	Weight
BWB18	18 x 34-1/2 x 24 Inch	29 KG

BASE MICROWAVE DRAWER



Features

1 Bottom Drawer with Solid Wood Drawer Box

General Info

Item Code Dimension (WxHxD) Weight

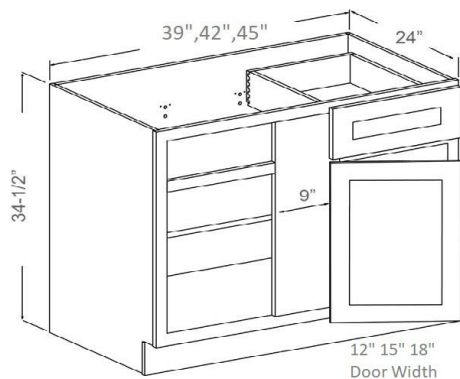
BMD24 24 x 34-1/2 x 24 Inch 29 KG

BMD30 30 x 34-1/2 x 24 Inch 31 KG

Description

For Built-In Microwaves Not Countertop Microwaves

BASE BLIND CORNER



Features

1 Drawer & 1 Door on Left or Right

1 Adjustable Shelf

General Info

Item Code Dimension (WxHxD) Weight

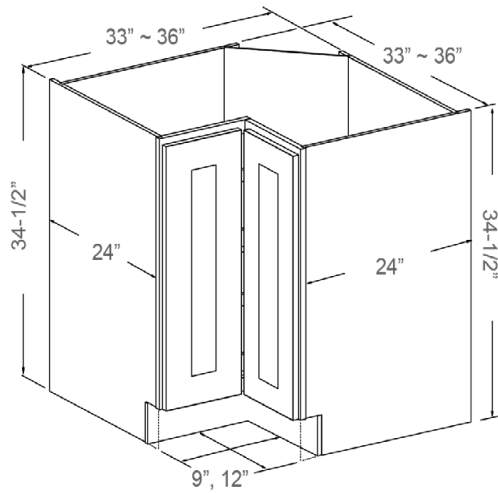
BLB39/42 39 x 34-1/2 x 24 Inch 31 KG

BLB42/45 42 x 34-1/2 x 24 Inch 33 KG

BLB45/48 45 x 34-1/2 x 24 Inch 35 KG

* Minimum 3" Pull From The Wall When Install.

LAZY SUSAN BASE



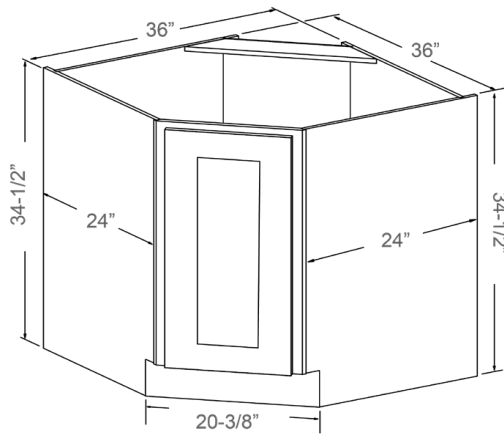
Features

- 1 Bi-folding Door
- 2 Wooden Kidney-Shaped Susans

General Info

Item Code	Dimension (WxHxD)	Weight
LSB33(L/R)	33 x 34-1/2 x 24 Inch	35 KG
LSB36(L/R)	36 x 34-1/2 x 24 Inch	37 KG

DIAGONAL SINK BASE



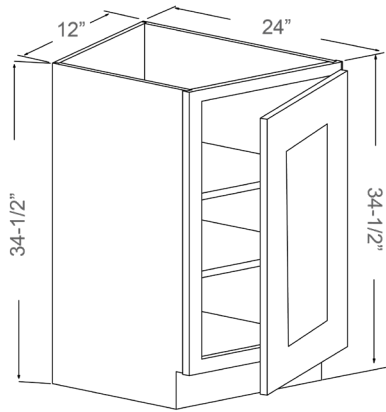
Features

- 1 Full Door
- No Shelf

General Info

Item Code	Dimension (WxHxD)	Weight
DSB36	36 x 34-1/2 x 24 Inch	28 KG

BASE ANGLE END CABINET(L/R)

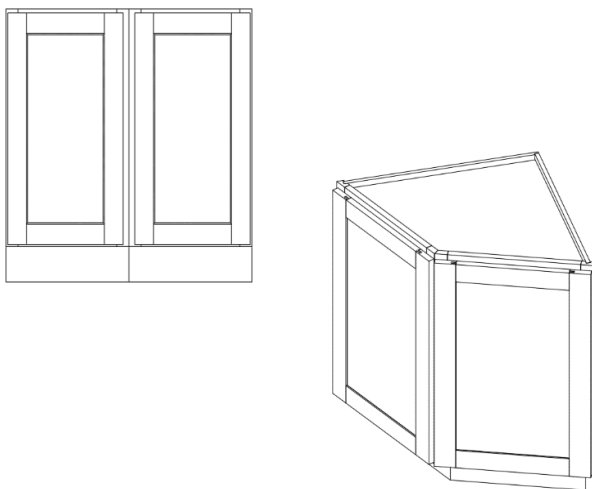


Features

- 1 Full Door
- 2 Adjustable Wood Shelves

General Info

Item Code	Dimension (WxHxD)	Weight
BAE12L	12 x 34-1/2 x 24 Inch	19 KG
BAE12R	12 x 34-1/2 x 24 Inch	19 KG



Features

- 2 Full Doors
- 2 Adjustable Wood Shelves

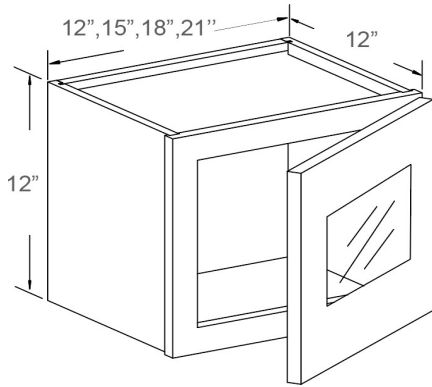
General Info

Item Code	Dimension (WxHxD)	Weight
BAE24	24 x 34-1/2 x 24 Inch	21 KG

WALL CABINETS



WALL CABINET 12"H WITH GLASS INSERT DOOR



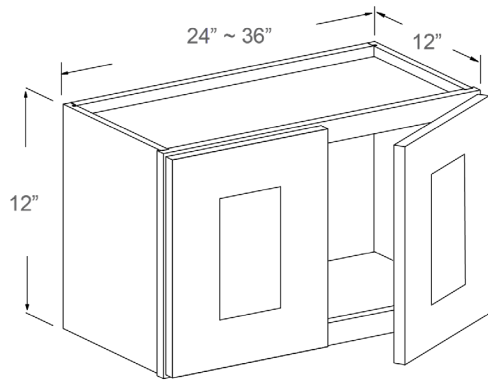
Features

- 1 Glass Insert Door
- No Shelf

General Info

Item Code	Dimension (WxHxD)	Weight
W1212GD&BOX	12 x 12 x 12 Inch	4.5 KG
W1512GD&BOX	15 x 12 x 12 Inch	5.4 KG
W1812GD&BOX	18 x 12 x 12 Inch	5.8 KG
W2112GD&BOX	21 x 12 x 12 Inch	6.5 KG

WALL CABINET 12"H WITH 2 DOORS



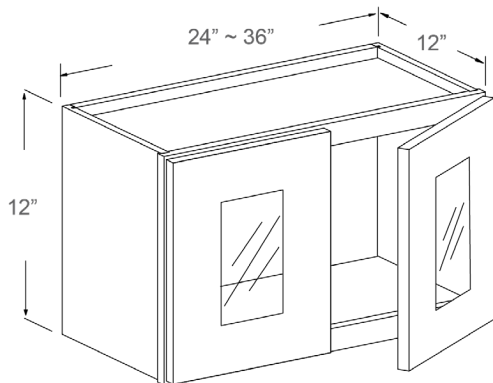
Features

- 2 Doors
- No Shelf

General Info

Item Code	Dimension (WxHxD)	Weight
W2412	24 x 12 x 12 Inch	7.3 KG
W3012	30 x 12 x 12 Inch	8.2 KG
W3312	33 x 12 x 12 Inch	10 KG
W3612	36 x 12 x 12 Inch	10.5 KG

WALL CABINET 12"H WITH 2 GLASS INSERT DOORS



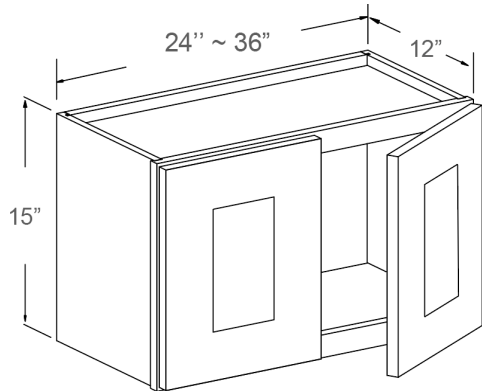
Features

- 2 Glass Insert Doors
- No Shelf

General Info

Item Code	Dimension (WxHxD)	Weight
W2412GD&BOX	24 x 12 x 12 Inch	7.7 KG
W3012GD&BOX	30 x 12 x 12 Inch	9.5 KG
W3312GD&BOX	33 x 12 x 12 Inch	10 KG
W3612GD&BOX	36 x 12 x 12 Inch	11 KG

WALL CABINET 15"H WITH 2 DOORS



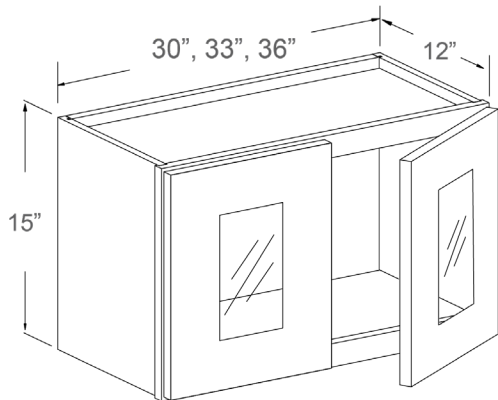
Features

- 2 Doors
- No Shelf

General Info

Item Code	Dimension (WxHxD)	Weight
W2415	24 x 15 x 12 Inch	8 KG
W3015	30 x 15 x 12 Inch	10 KG
W3315	33 x 15 x 12 Inch	11 KG
W3615	36 x 15 x 12 Inch	12 KG

WALL CABINET 15"H WITH 2 GLASS INSERT DOORS



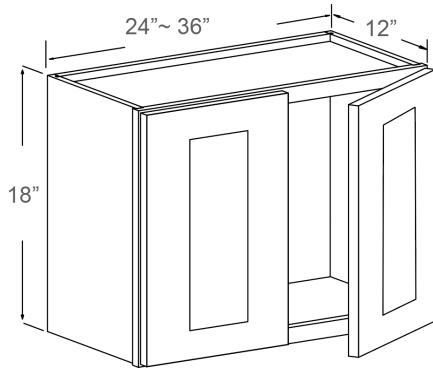
Features

- 2 Glass Insert Doors
- No Shelf

General Info

Item Code	Dimension (WxHxD)	Weight
W3015GD&BOX	30 x 15 x 12 Inch	10.5 KG
W3315GD&BOX	33 x 15 x 12 Inch	11 KG
W3615GD&BOX	36 x 15 x 12 Inch *	11.5 KG

WALL CABINET 18"H WITH 2 DOORS



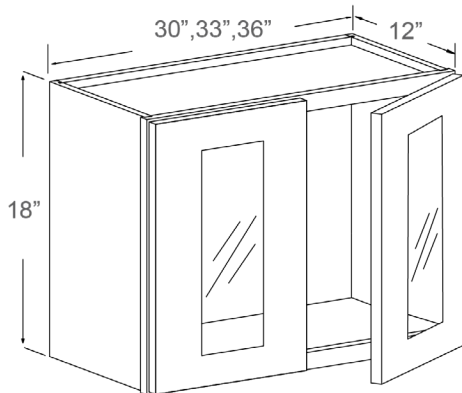
Features

- 2 Doors
- No Shelf

General Info

Item Code	Dimension (WxHxD)	Weight
W2418	24 x 18 x 12 Inch	10.6 KG
W3018	30 x 18 x 12 Inch	11.7 KG
W3318	33 x 18 x 12 Inch	12.8 KG
W3618	36 x 18 x 12 Inch	13.7 KG

WALL CABINET 18"H WITH 2 GLASS INSERT DOORS



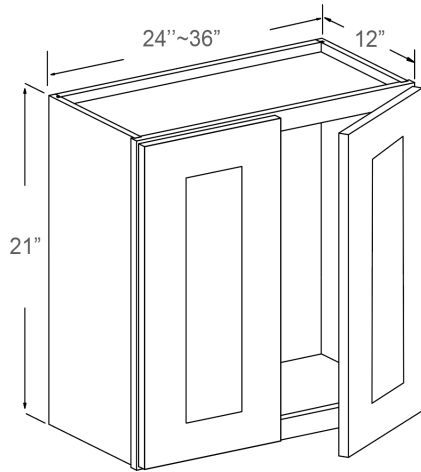
Features

- 2 Glass Insert Doors
- No Shelf

General Info

Item Code	Dimension (WxHxD)	Weight
W3018GD&BOX	30 x 18 x 12 Inch	12 KG
W3318GD&BOX	33 x 18 x 12 Inch	13 KG
W3618GD&BOX	36 x 18 x 12 Inch	14 KG

WALL CABINET 21"H WITH 2 DOORS



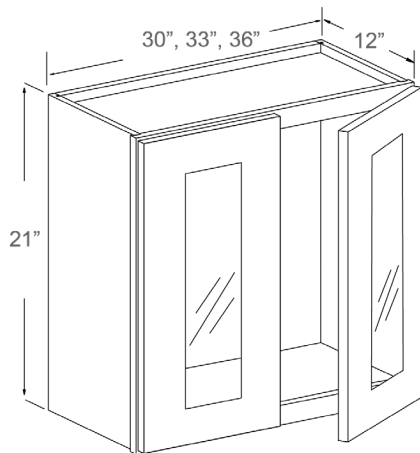
Features

- 2 Doors
- No Shelf

General Info

Item Code	Dimension (WxHxD)	Weight
W2421	24 x 21 x 12 Inch	11 KG
W3021	30 x 21 x 12 Inch	12 KG
W3321	33 x 21 x 12 Inch	14 KG
W3621	36 x 21 x 12 Inch	15 KG

WALL CABINET 21"H WITH 2 GLASS INSERT DOORS



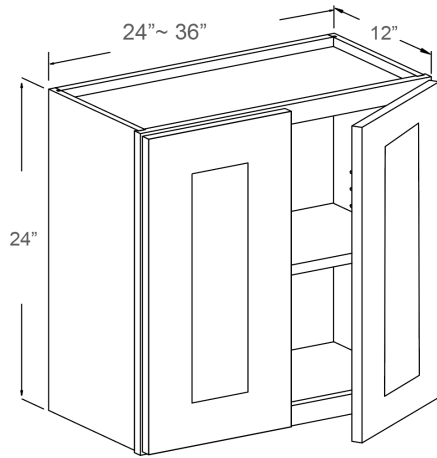
Features

- 2 Glass Insert Doors
- No Shelf

General Info

Item Code	Dimension (WxHxD)	Weight
W3021GD&BOX	30 x 21 x 12Inch	13.4 KG
W3321GD&BOX	33 x 21 x 12 Inch	14.4 KG
W3621GD&BOX	36 x 21 x 12 Inch *	15.4 KG

WALL CABINET 24"H WITH 2 DOORS



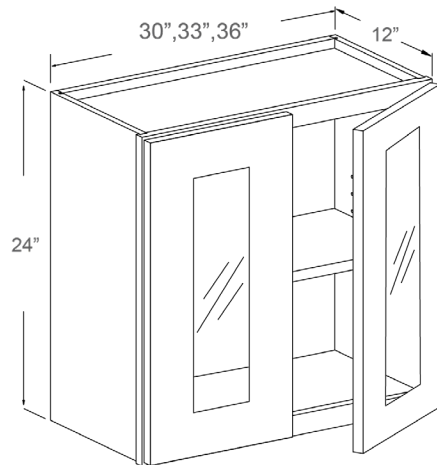
Features

- 2 Doors
- 1 Adjustable Wood Shelf

General Info

Item Code	Dimension (WxHxD)	Weight
W2424	24 x 24 x 12 Inch	14.8 KG
W3024	30 x 24 x 12 Inch	15 KG
W3324	33 x 24 x 12 Inch	17 KG
W3624	36 x 24 x 12 Inch	18.5 KG

WALL CABINET 24"H WITH 2 GLASS INSERT DOORS



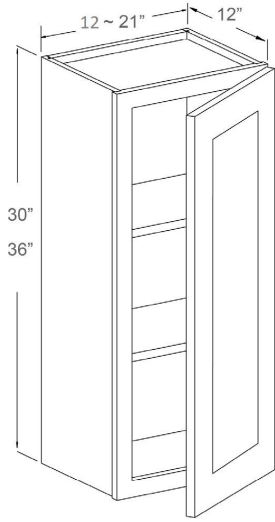
Features

- 2 Glass Insert Doors
- 1 Adjustable Wood Shelf

General Info

Item Code	Dimension (WxHxD)	Weight
W3024GD&BOX	30 x 24 x 12 Inch	16.4 KG
W3324GD&BOX	33 x 24 x 12 Inch	17.4 KG
W3624GD&BOX	36 x 24 x 12 Inch	19 KG

WALL CABINET 30"H & 36"H



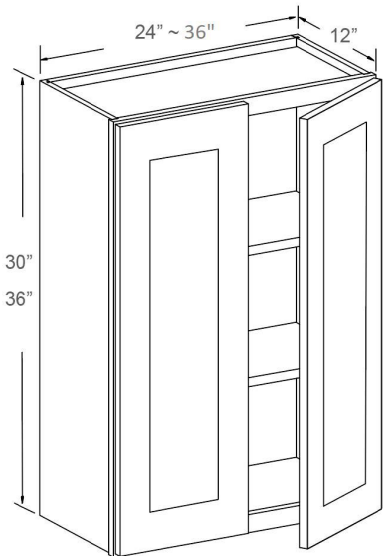
Features

- 1 Door
- 2 Adjustable Wood Shelves

General Info

Item Code	Dimension (WxHxD)	Weight
W1230	12 x 30 x 12 Inch	10 KG
W1530	15 x 30 x 12 Inch	12 KG
W1830	18 x 30 x 12 Inch	13.5 KG
W1236	12 x 36 x 12 Inch	12 KG
W1536	15 x 36 x 12 Inch	13 KG
W1836	18 x 36 x 12 Inch	15 KG
W2136	21 x 36 x 12 Inch	17 KG

WALL CABINET 30"H & 36"H



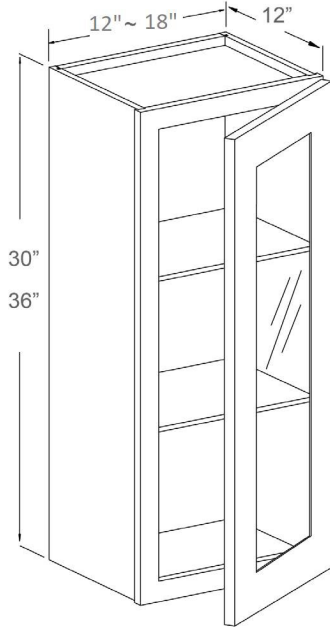
Features

- 2 Doors
- 2 Adjustable Wood Shelves

General Info

Item Code	Dimension (WxHxD)	Weight
W2430	24 x 30 x 12 Inch	17 KG
W2730	27 x 30 x 12 Inch	19 KG
W3030	30 x 30 x 12 Inch	21 KG
W3330	33 x 30 x 12 Inch	22.5 KG
W3630	36 x 30 x 12 Inch	23.5 KG
W2436	24 x 36 x 12 Inch	19.5 KG
W2736	27 x 36 x 12 Inch	20.5 KG
W3036	30 x 36 x 12 Inch	23 KG
W3336	33 x 36 x 12 Inch	25 KG
W3636	36 x 36 x 12 Inch	27 KG

WALL CABINET 30"H & 36"H - GLASS INSERT DOOR



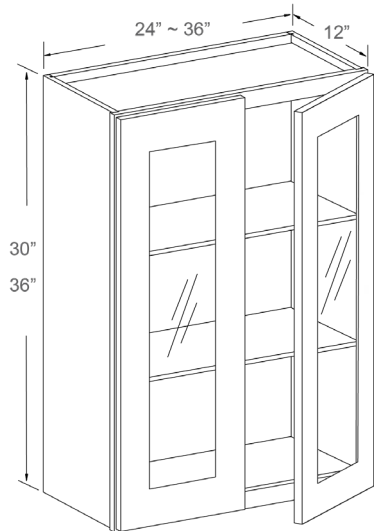
Features

- 1 Glass Insert Door
- 2 Adjustable Wood Shelves

General Info

Item Code	Dimension (WxHxD)	Weight
W1230GD&BOX	12 x 30 x 12 Inch	11 KG
W1530GD&BOX	15 x 30 x 12 Inch	13 KG
W1830GD&BOX	18 x 30 x 12 Inch	14.5 KG
W1236GD&BOX	12 x 36 x 12 Inch	13 KG
W1536GD&BOX	15 x 36 x 12 Inch	14 KG
W1836GD&BOX	18 x 36 x 12 Inch	16 KG

WALL CABINET 30"H & 36"H - GLASS INSERT DOOR



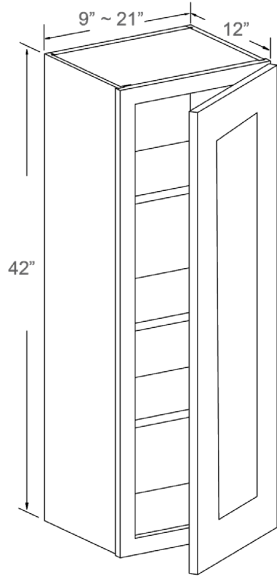
Features

- 2 Glass Insert Doors
- 2 Adjustable Wood Shelves

General Info

Item Code	Dimension (WxHxD)	Weight
W2430GD&BOX	24 x 30 x 12 Inch	18 KG
W2730GD&BOX	27 x 30 x 12 Inch	20 KG
W3030GD&BOX	30 x 30 x 12 Inch	22 KG
W3330GD&BOX	33 x 30 x 12 Inch	23.5 KG
W3630GD&BOX	36 x 30 x 12 Inch	24.5 KG
W2436GD&BOX	24 x 36 x 12 Inch	20.5 KG
W2736GD&BOX	27 x 36 x 12 Inch	21.5 KG
W3036GD&BOX	30 x 36 x 12 Inch	24 KG
W3336GD&BOX	33 x 36 x 12 Inch	26 KG
W3636GD&BOX	36 x 36 x 12 Inch	28 KG

WALL CABINET 42"H



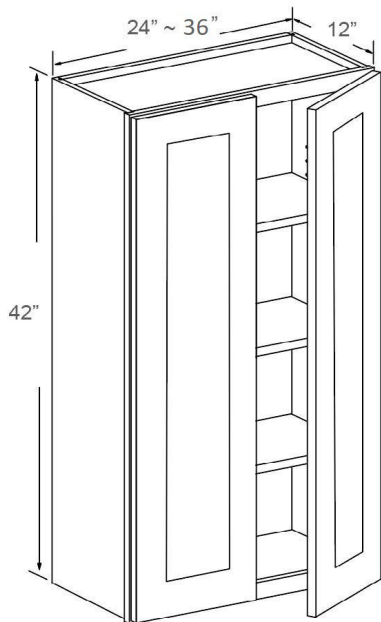
Features

- 1 Door
- 3 Adjustable Wood Shelves

General Info

Item Code	Dimension (WxHxD)	Weight
W0942	9 x 42 x 12 Inch	12 KG
W1242	12 x 42 x 12 Inch	14 KG
W1542	15 x 42 x 12 Inch	15.5 KG
W1842	18 x 42 x 12 Inch	18 KG
W2142	21 x 42 x 12 Inch	19.5 KG

WALL CABINET 42"H



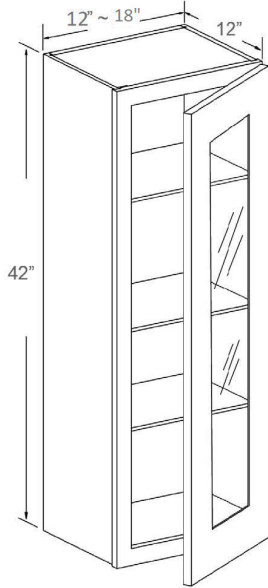
Features

- 2 Doors
- 3 Adjustable Wood Shelves

General Info

Item Code	Dimension (WxHxD)	Weight
W2442	24 x 42 x 12 Inch	22 KG
W2742	27 x 42 x 12 Inch	25 KG
W3042	30 x 42 x 12 Inch	27 KG
W3342	33 x 42 x 12 Inch	29 KG
W3642	36 x 42 x 12 Inch	31 KG

WALL CABINET 42"H - GLASS INSERT DOOR



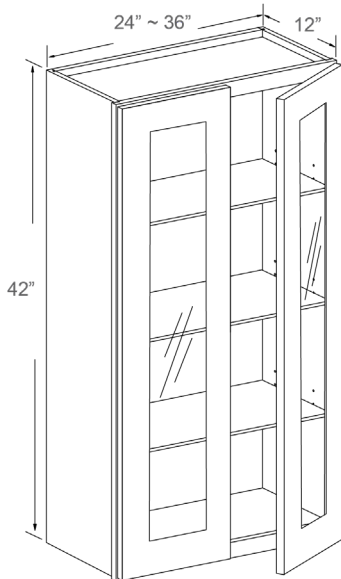
Features

- 1 Glass Insert Door
- 3 Adjustable Wood Shelves

General Info

Item Code	Dimension (WxHxD)	Weight
W1242GD&BOX	12 x 42 x 12 Inch	14.8 KG
W1542GD&BOX	15 x 42 x 12 Inch	16.4 KG
W1842GD&BOX	18 x 42 x 12 Inch	18.8 KG

WALL CABINET 42"H - GLASS INSERT DOOR



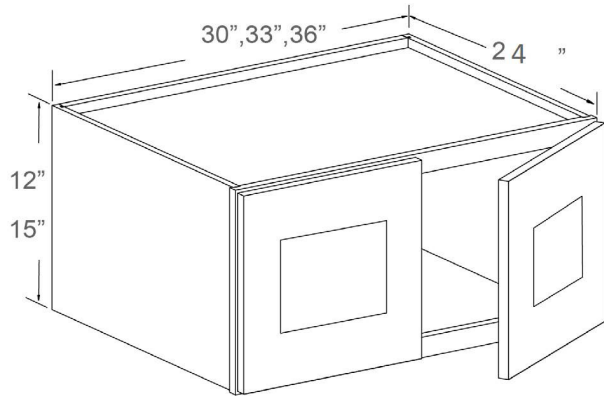
Features

- 2 Glass Insert Doors
- 3 Adjustable Wood Shelves

General Info

Item Code	Dimension (WxHxD)	Weight
W2442GD&BOX	24 x 42 x 12 Inch	23 KG
W2742GD&BOX	27 x 42 x 12 Inch	26.2 KG
W3042GD&BOX	30 x 42 x 12 Inch	29 KG
W3342GD&BOX	33 x 42 x 12 Inch	31 KG
W3642GD&BOX	36 x 42 x 12 Inch	32.4 KG

REFRIGERATOR WALL CABINET 12"H &15"H



Features

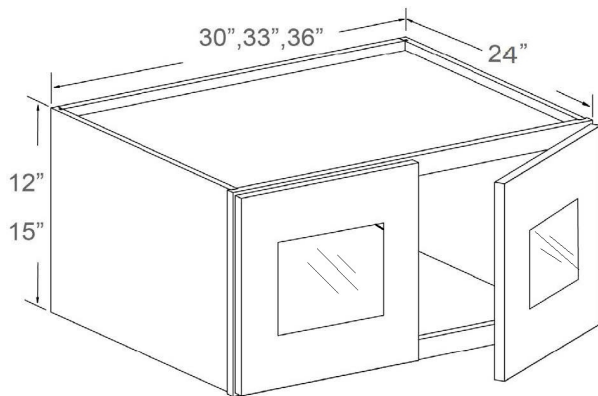
2 Doors

No Shelf

General Info

Item Code	Dimension (WxHxD)	Weight
W301224	30 x 12 x 24Inch	14 KG
W331224	33 x 12 x 24 Inch	16 KG
W361224	36 x 12 x 24 Inch	18 KG
W301524	30 x 15 x 24Inch	16 KG
W331524	33 x 15 x 24 Inch	18 KG
W361524	36 x 15 x 24 Inch	20.4 KG

REFRIGERATOR WALL CABINET 12"H &15"H



Features

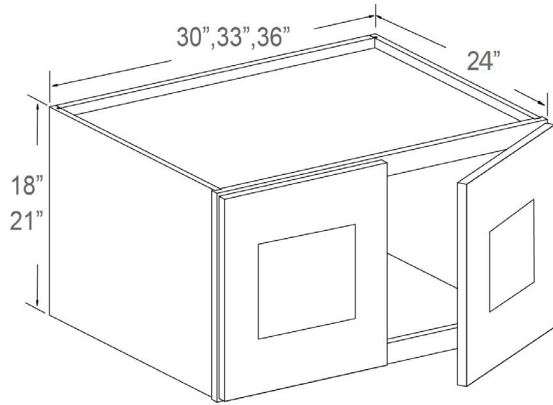
2 Glass Insert Doors

No Shelf

General Info

Item Code	Dimension (WxHxD)	Weight
W301224GD&BOX	30 x 12 x 24Inch	14.8 KG
W331224GD&BOX	33 x 12 x 24 Inch	17 KG
W361224GD&BOX	36 x 12 x 24 Inch	19.6 KG
W301524GD&BOX	30 x 15 x 24Inch	16.8 KG
W331524GD&BOX	33 x 15 x 24 Inch	19 KG
W361524GD&BOX	36 x 15 x 24 Inch	21.2 KG

REFRIGERATOR WALL CABINET 18"H & 21"H



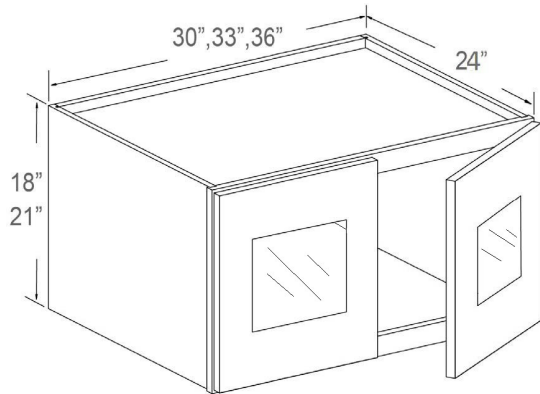
Features

- 2 Doors
- No Shelf

General Info

Item Code	Dimension (WxHxD)	Weight
W301824	30 x 18 x 24Inch	14.6 KG
W331824	33 x 18 x 24 Inch	16.8 KG
W361824	36 x 18 x 24 Inch	19 KG
W302124	30 x 21 x 24Inch	16.6 KG
W332124	33 x 21 x 24 Inch	18.9 KG
W362124	36 x 21 x 24 Inch	21 KG

REFRIGERATOR WALL CABINET 18"H & 21"H



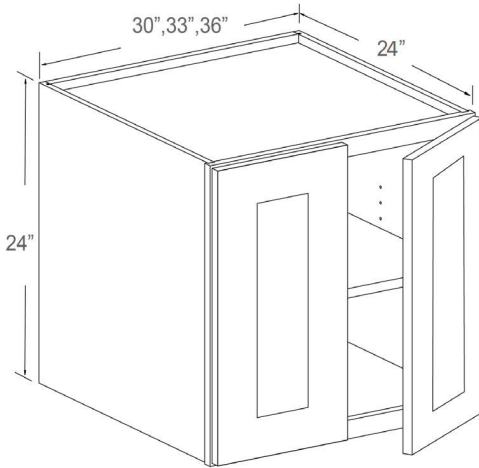
Features

- 2 Glass Insert Doors
- No Shelf

General Info

Item Code	Dimension (WxHxD)	Weight
W301824GD&BOX	30 x 18 x 24Inch	15 KG
W331824GD&BOX	33 x 18 x 24 Inch	17 KG
W361824GD&BOX	36 x 18 x 24 Inch	19 KG
W302124GD&BOX	30 x 21 x 24Inch	16.8 KG
W332124GD&BOX	33 x 21 x 24 Inch	19 KG
W362124GD&BOX	36 x 21 x 24 Inch	21 KG

REFRIGERATOR WALL CABINET 24"H



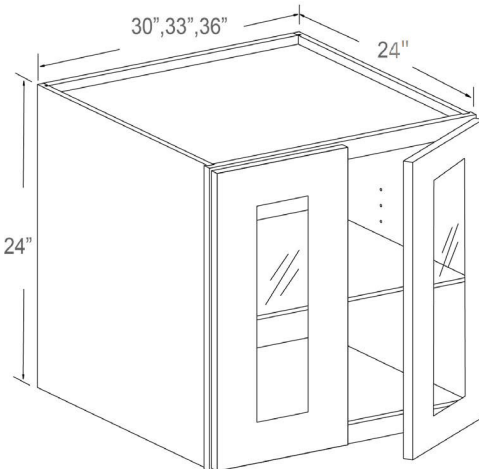
Features

- 2 Doors
- 1 Adjustable Wood Shelf

General Info

Item Code	Dimension (WxHxD)	Weight
W302424	30 x 24 x 24Inch	16 KG
W332424	33 x 24 x 24 Inch	18 KG
W362424	36 x 24 x 24 Inch	21 KG

REFRIGERATOR WALL CABINET 24"H



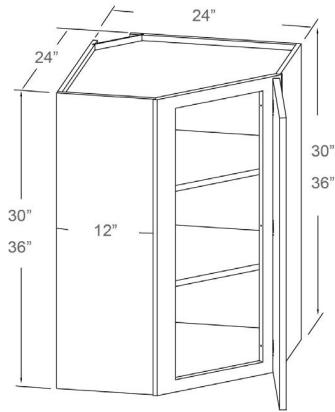
Features

- 2 Glass Insert Doors
- 1 Adjustable Wood Shelf

General Info

Item Code	Dimension (WxHxD)	Weight
W302424GD&BOX	30 x 24 x 24Inch	16 KG
W332424GD&BOX	33 x 24 x 24 Inch	18 KG
W362424GD&BOX	36 x 24 x 24 Inch	21 KG

WALL DIAGONAL CORNER 30"H & 36"H



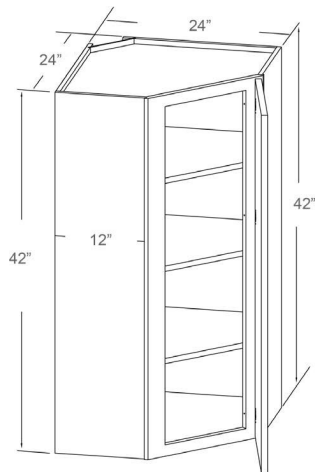
Features

- 1 Door
- 2 Adjustable Wood Shelves

General Info

Item Code	Dimension (WxHxD)	Weight
WDC2430	24 x 30 x 12 Inch	25 KG
WDC2436	24 x 36 x 12 Inch	28 KG

WALL DIAGONAL CORNER 42"H



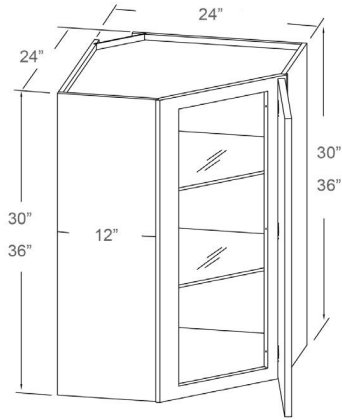
Features

- 1 Door
- 3 Adjustable Wood Shelves

General Info

Item Code	Dimension (WxHxD)	Weight
WDC2442	24 x 42 x 12 Inch	32 KG

WALL DIAGONAL CORNER 30"H & 36"H



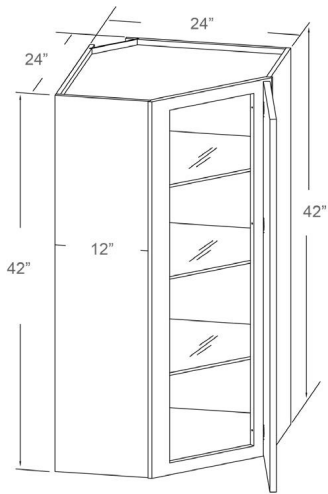
Features

- 1 Glass Insert Door
- 2 Adjustable Wood Shelves

General Info

Item Code	Dimension (WxHxD)	Weight
WDC2430GD&BOX	24 x 30 x 12 Inch	26.3 KG
WDC2436GD&BOX	24 x 36 x 12 Inch	29.4 KG

WALL DIAGONAL CORNER 42"H

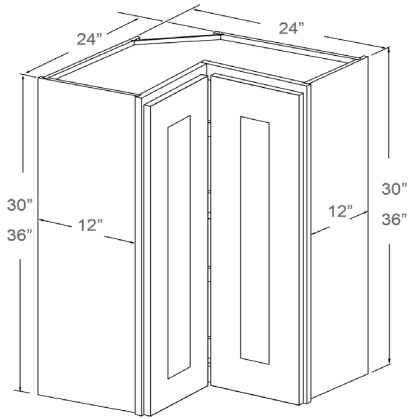


Features

- 1 Glass Insert Door
- 3 Adjustable Wood Shelves

Item Code	Dimension (WxHxD)	Weight
WDC2442GD&BOX	24 x 42 x 12 Inch	34.2 KG

SQUARE CORNER WALL CABINET 30"H & 36"H



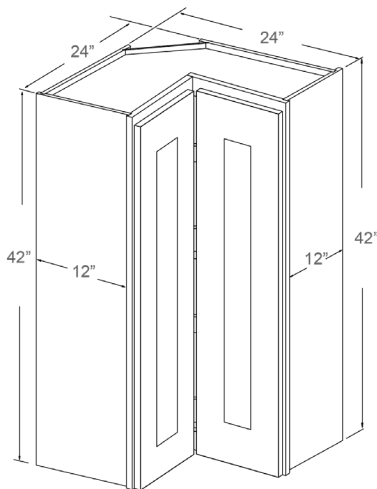
Features

- 1 Bi-folding Door
- 2 Adjustable Wood Shelves

General Info

Item Code	Dimension (WxHxD)	Weight
SCW2430	24 x 30 x 12 Inch	25.4 KG
SCW2436	24 x 36 x 12 Inch	28.7 KG

SQUARE CORNER WALL CABINET 42"H



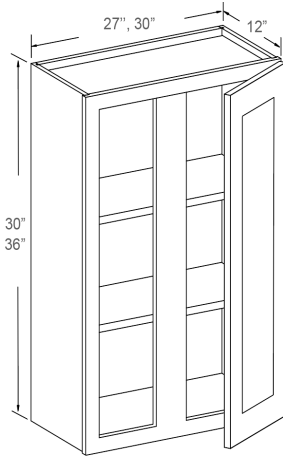
Features

- 1 Bi-folding Door
- 3 Adjustable Wood Shelves

General Info

Item Code	Dimension (WxHxD)	Weight
SCW2442	24 x 42 x 12 Inch	32.8 KG

WALL BLIND CORNER 30"H & 36"H



Features

- 1 Door
- 2 Adjustable Wood Shelves

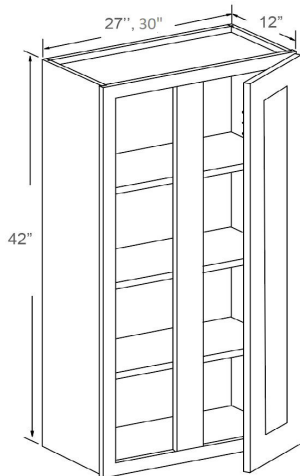
General Info

Item Code	Dimension (WxHxD)	Weight
WBC2730	27 x 30 x 12 Inch	19 KG
WBC3030	30 x 30 x 12 Inch	20 KG
WBC2736	27 x 36 x 12 Inch	20 KG
WBC3036	30 x 36 x 12 Inch	23 KG

Description

Door width from 12" W to 15" W. Fillers are recommended for inside return but not included.

WALL BLIND CORNER 42"H



Features

- 1 Door
 - 3 Adjustable Wood Shelves
- 25 KG
27 KG

General Info

Item Code	Dimension (WxHxD)	Weight
WBC2742	27 x 42 x 12 Inch	
WBC3042	30 x 42 x 12 Inch	

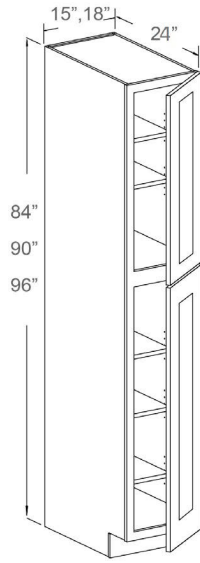
Description

Door width from 12" W to 15" W. Fillers are recommended for inside return but not included.

|| PANTRY & OVEN CABINETS



PANTRY CABINET 84"H & 90"H & 96"H - 24"D



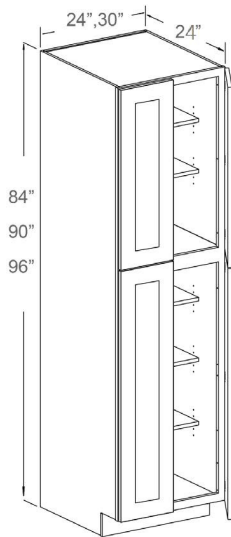
Features

- 2 Doors
- 2 Adjustable Top Shelves
- 3 Adjustable Bottom Shelves

General Info

Item Code	Dimension (WxHxD)	Weight
TP158424	15 x 84 x 24 Inch	67 KG
TP188424	18 x 84 x 24Inch	69 KG
TP159024	15 x 90 x 24 Inch	70 KG
TP189024	18 x 90 x 24 Inch	72.5 KG
TP159624	15x 96x 24 Inch	73 KG
TP189624	18x 96 x 24 Inch	75 KG

PANTRY CABINET 84"H & 90"H & 96"H - 24"D



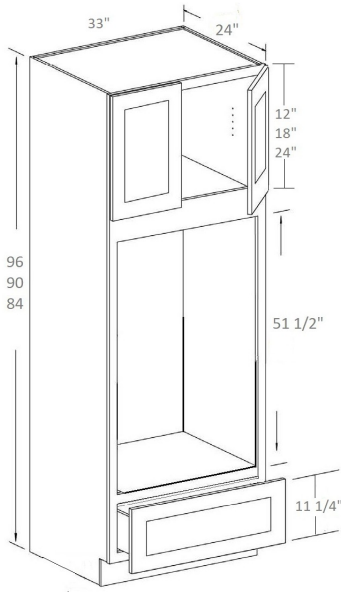
Features

- 4 Doors
- 2 Adjustable Top Shelves
- 3 Adjustable Bottom Shelves

General Info

Item Code	Dimension (WxHxD)	Weight
TP248424	24 x 84 x 24 Inch	79 KG
TP308424	30 x 84 x 24 Inch	89 KG
TP249024	24 x 90 x 24 Inch	83 KG
TP309024	30 x 90 x 24 Inch	95 KG
TP249624	24 x 96 x 24 Inch	86 KG
TP309624	30 x 96 x 24 Inch	102 KG

TALL OVEN CABINET 84"H & 90"H & 96"H

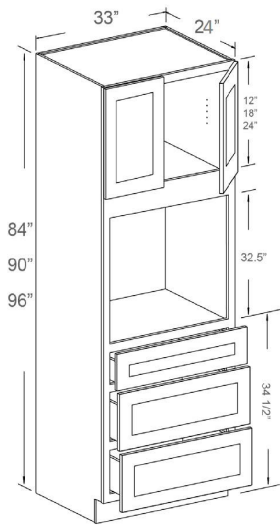


Features

- 2 Doors
- 1 Drawer

General Info

Item Code	Dimension (WxHxD)	Weight
OC338424	33 x 84 x 24 Inch	105 KG
OC339024	33 x 90 x 24 Inch	110 KG
OC339624	33 x 96 x 24 Inch	119 KG



Features

- 2 Doors
- 3 Drawers
- Opening 32"H-50"H X 30" W

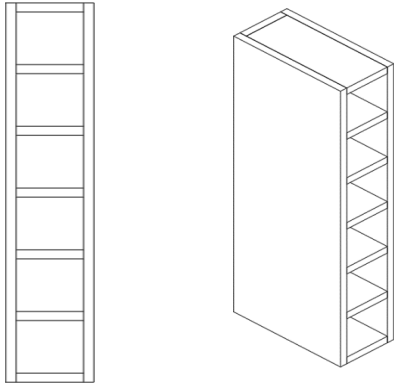
General Info

Item Code	Dimension (WxHxD)	Weight
OCS338424	33 x 84 x 24 Inch	105 KG
OCS339024	33 x 90 x 24 Inch	110 KG
OCS339624	33 x 96 x 24 Inch	119 KG

STORAGE & ORGANIZATION



WALL CROSS WINE RACK

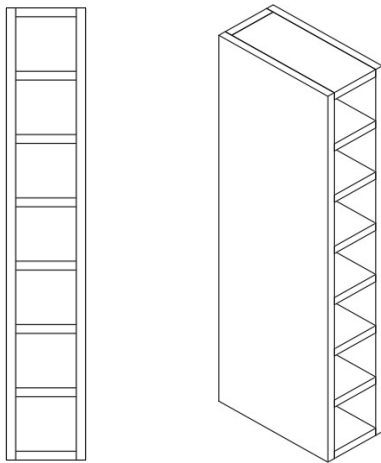


Features

- 6 Compartments
- Matching Color Finish

General Info

Item Code	Dimension (WxHxD)	Weight
WCX0630	6 x 30 x 12 Inch	12 KG

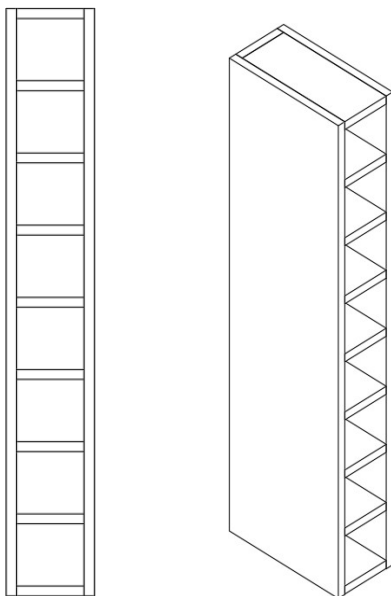


Features

- 7 Compartments
- Matching Color Finish

General Info

Item Code	Dimension (WxHxD)	Weight
WCX0636	6 x 36 x 12 Inch	13 KG



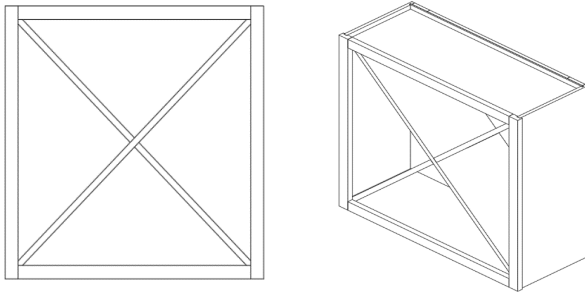
Features

- 8 Compartments
- Matching Color Finish

General Info

Item Code	Dimension (WxHxD)	Weight
WCX0642	6 x 42 x 12 Inch	14 KG

WALL CROSS WINE RACK



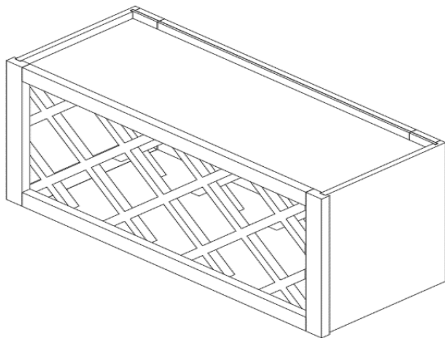
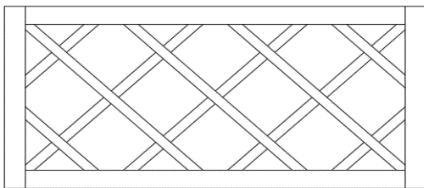
Features

- 4 Compartments
- Matching Color Finish

General Info

Item Code	Dimension (WxHxD)	Weight
WCX1818	18 x 18 x 12 Inch	12 KG

LATTICE WINE RACK



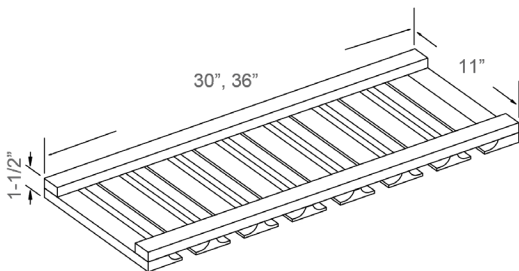
Features

- 18 Compartments
- Matching Color Finish

General Info

Item Code	Dimension (WxHxD)	Weight
WR3015	30 x 15 x 12 Inch	20.5 KG
WR3018	30 x 18 x 12 Inch	23 KG
WR3615	36 x 15 x 12 Inch	
WR3618	36 x 18 x 12 Inch	

STEMWARE RACK



Features

- 7 Rail Openings
- Matching Color Finish

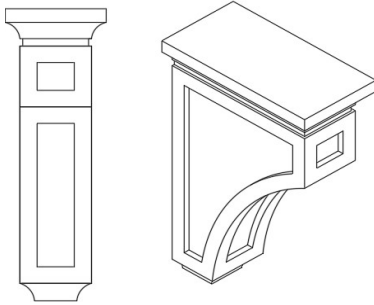
**8 Rails for 36" W*

General Info

Item Code	Dimension (WxHxD)	Weight
SGH30	30 x 1 1/5 x 10 1/5 Inch	1.7 KG
SGH36	36 x 1 1/5 x 10 1/5 Inch	1.9 KG

VALANCE, CORBEL & POSTS

CORBEL



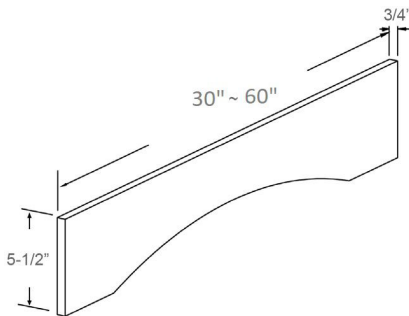
Features

- Solid Wood
- Finished to Matching Color

General Info

Item Code	Dimension (WxHxD)	Weight
CORT	5-1/4 x 12-1/2 x 4-1/2 Inch	1.4 KG

ARCH VALANCE



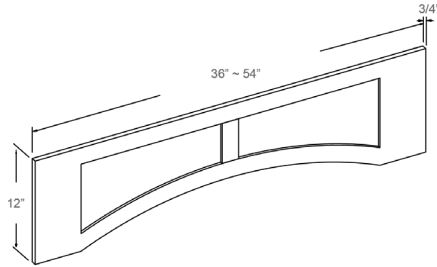
Features

- 3/4" Solid Wood
- Matching Color
- Finished on Edges

General Info

Item Code	Dimension (WxHxD)	Weight
VAR30	30 x 5-1/2 x 3/4 Inch	1.5 KG
VAR36	36 x 5-1/2 x 3/4 Inch	2.2 KG
VAR42	42 x 5-1/2 x 3/4 Inch	2.7 KG
VAR48	48 x 5-1/2 x 3/4 Inch	3 KG
VAR54	54 x 5-1/2 x 3/4 Inch	3.5 KG
VAR60	60 x 5-1/2 x 3/4 Inch	4 KG

ARCH VALANCE WITH DOOR STYLE



Features

3/4" Solid Wood

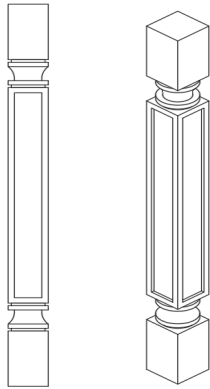
Matching Cabinet Color and Door Style

Finished on Edges

General Info

Item Code	Dimension (WxHxD)	Weight
RPV36	36 x 12 x 3/4 Inch	3 KG
RPV42	42 x 12 x 3/4 Inch	3.4 KG
RPV48	48 x 12 x 3/4 Inch	3.7 KG
RPV54	54 x 12 x 3/4 Inch	4.2 KG
RPV60	60 x 12 x 3/4 Inch	4.6 KG

STANDARD POST



Features

Solid Wood

Finished to Matching Color

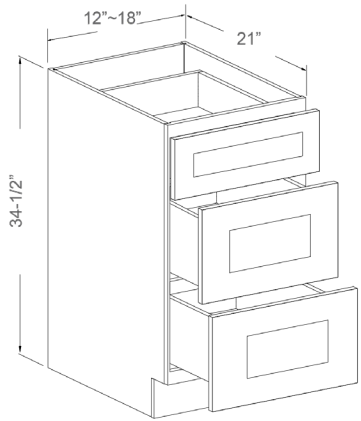
General Info

Item Code	Dimension (WxHxD)	Weight
SP3 31/2	3-1/2 x 34 1/2 x 3-1/2 Inch	10 KG

BATHROOM VANITIES



VANITY DRAWER CABINET



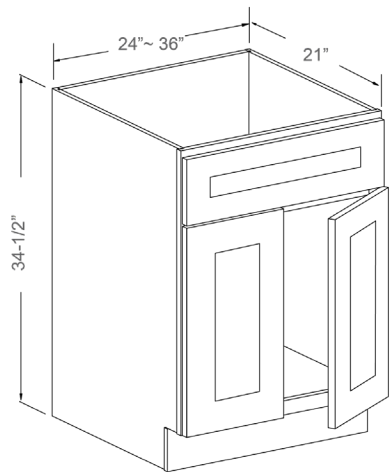
Features

- 1 Small Drawer
- 2 Large Drawers

General Info

Item Code	Dimension (WxHxD)	Weight
VDB12	12 x 34-1/2 x 21 Inch	27 KG
VDB15	15 x 34-1/2 x 21 Inch	30 KG
VDB18	18 x 34-1/2 x 21 Inch	31.5 KG

VANITY SINK CABINET



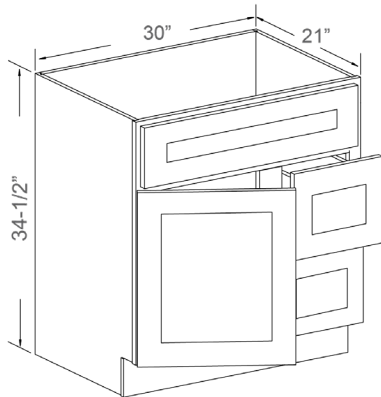
Features

- 1 Fixed Drawer
- 2 Doors
- No Shelf

General Info

Item Code	Dimension (WxHxD)	Weight
VSBB24	24 x 34-1/2 x 21 Inch	19 KG
VSBB27	27 x 34-1/2 x 21 Inch	20 KG
VSBB30	30 x 34-1/2 x 21 Inch	22 KG
VSBB33	33 x 34-1/2 x 21 Inch	23 KG
VSBB36	36 x 34-1/2 x 21 Inch	24 KG

VANITY SINK CABINET WITH DRAWERS



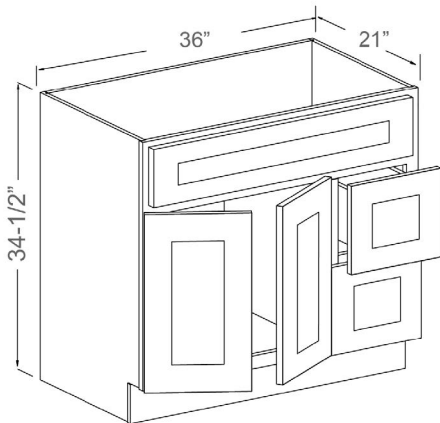
Features

- 2 Drawers on Right or Left
- 1 Door on Right or Left
- No Shelf

General Info

Item Code	Dimension (WxHxD)	Weight
VSD30(L/R)	30 x 34-1/2 x 21 Inch	34 KG

VANITY SINK CABINET WITH DRAWERS

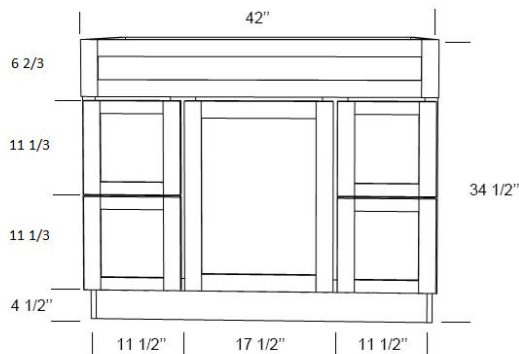


Features

- 2 Drawers on Right or Left
- 2 Doors on Right or Left
- No Shelf

General Info

Item Code	Dimension (WxHxD)	Weight
VSD36(L/R)	36 x 34-1/2 x 21Inch	36 KG

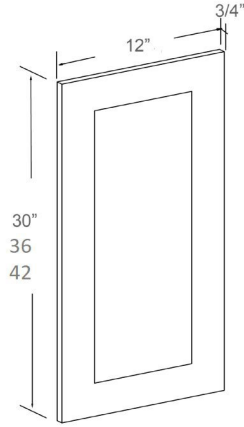


Item Code	Dimension (WxHxD)	Weight
VSBD42	42 x 34-1/2 x 21 Inch	39 KG

DUMMY DOORS, DRAWERS & REPLACEMENTS



DECORATIVE DOOR FOR WALL CABINET



* For cabinet door replacement.

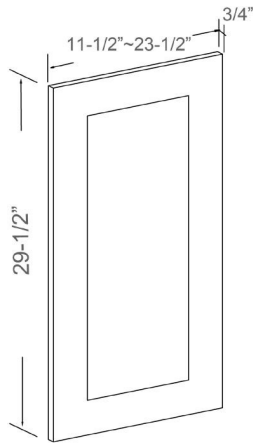
Features

Decorative Door Panel

General Info

Item Code	Dimension (WxHxD)	Weight
WDD1230	12 x 30 x 3/4 Inch	2.2 KG
WDD1236	12 x 36 x 3/4 Inch	3 KG
WDD1242	12 x 42 x 3/4 Inch	3.7 KG

DECORATIVE DOOR FOR BASE CABINET



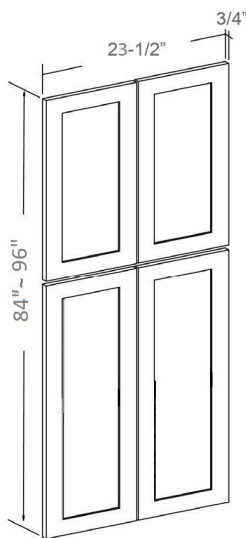
Features

Decorative Door Panel

General Info

Item Code	Dimension (WxHxD)	Weight
BDD1230	11-1/2 x 29-1/2 x 3/4 Inch	2.2 KG
BDD1530	14-1/2 x 29-1/2 x 3/4 Inch	2.7 KG
BDD1830	17-1/2 x 29-1/2 x 3/4 Inch	3.2 KG
BDD2130	20-1/2 x 29-1/2 x 3/4 Inch	4 KG
BDD2430	23-1/2 x 29-1/2 x 3/4 Inch	4.5 KG

DECORATIVE DOOR FOR PANTRY CABINET SIDE



Features

Decorative Door Panel

2 Bottom Doors 49.5" H x 11-3/4" W

General Info

Item Code	Dimension (WxHxD)	Weight
T84	23-1/2 x 83 x 1/2 Inch	15.5 KG
T90	23-1/2 x 89 x 1/2 Inch	17 KG
T96	23-1/2 x 95x 1/2 Inch	19 KG

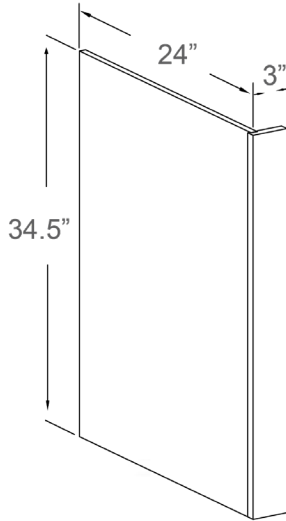
Description

FOR 84"H: 2 Top Doors 29.5" H x 11-1/2" W,
 FOR 90"H: 2 Top Doors 35.5" H x 11-1/2" W,
 FOR 96"H: 2 Top Doors 41.5" H x 11-1/2" W.

| PANELS, FILLERS & TOUCH UP KIT



DISHWASHER PANEL WITH RETURN FILLER



Features

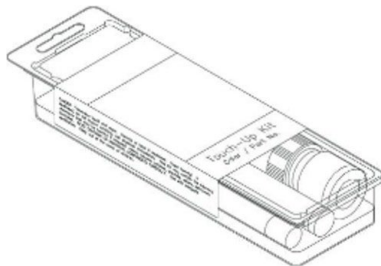
- 3" Return Filler
- 5/8" Thick Panel

General Info

Item Code	Dimension (WxHxD)	Weight
DWR3	3 x 34-1/2 x 24 Inch	5.4 KG

Description

Matching Color Finish on Both Side and Filler.



Features

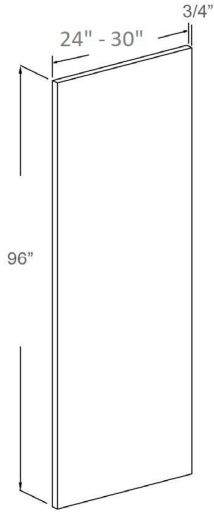
- Paint Pen & Cabinet Wood Filler Included

Touch Up Kit

General Info

Item Code: TUK

REFRIGERATOR PANEL



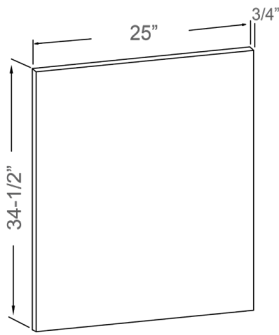
Features

- 3/4" Thick Panel
- 1 Side-Edge Matching Color
- 2 Sides Surfaces Matching Color

General Info

Item Code	Dimension (WxHxD)	Weight
REP9624(3/4)	3/4 x 96 x 24 Inch	15.8 KG
REP9630(3/4)	3/4 x 96 x 30 Inch	17.8 KG

BASE END PANEL



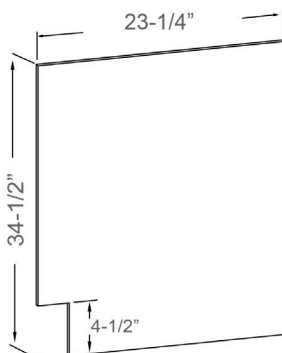
Features

- 3/4" Thick Panel
- 2 Side-Edges Matching Color
- 2 Sides Surfaces Matching Color

General Info

Item Code	Dimension (WxHxD)	Weight
BEP	25 x 34 1/2 x 3/4 Inch	6 KG

FINISHED SKIN PANEL FOR BASE CABINETS



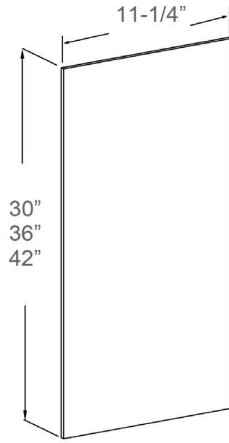
Features

- 1/4" Thick Panel

General Info

Item Code	Dimension (WxHxD)	Weight
BS24	23-1/4 x 34-1/2 x 1/4 Inch	1.8 KG

FINISHED SKIN PANEL FOR WALL CABINETS



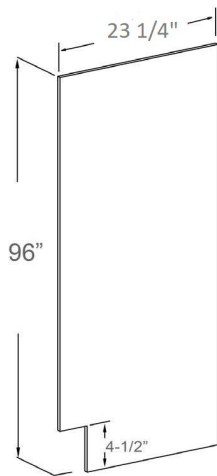
Features

1/4" Thick Panel

General Info

Item Code	Dimension (WxHxD)	Weight
WS1230	11-1/4 x 30 x 1/5 Inch	0.7 KG
WS1236	11-1/4 x 36 x 1/5 Inch	0.9 KG
WS1242	11-1/4 x 42 x 1/5 Inch	1.2 KG

FINISHED SKIN PANEL FOR PANTRY CABINETS



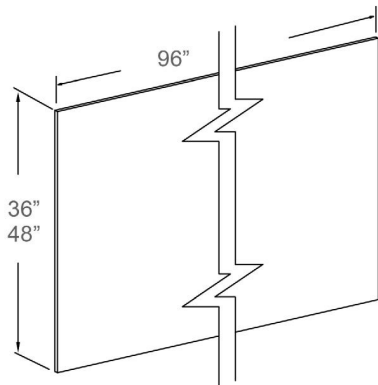
Features

1/4" Thick Panel

General Info

Item Code	Dimension (WxHxD)	Weight
TS2496	23-1/4 x 96 x 1/4 Inch	4.3 KG

FINISHED SKIN PANEL



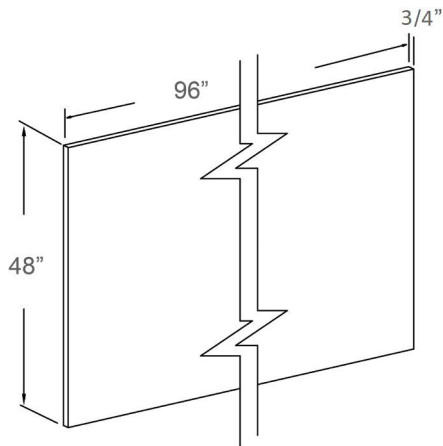
Features

1/4" Thick Panel

General Info

Item Code	Dimension (WxHxD)	Weight
BP3696	96 x 36 x 1/4 Inch	5.4 KG
BP4896	96x 48 x 1/4 Inch	6.3 KG

FINISHED PANEL BOARD



Features

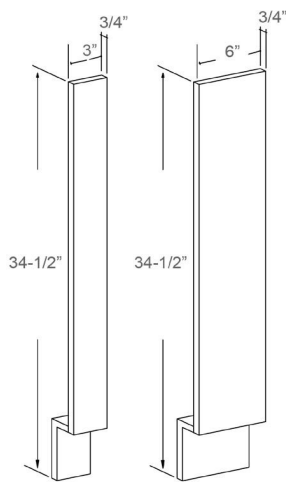
3/4" Thick Panel

1 Side Surface Finish

General Info

Item Code	Dimension (WxHxD)	Weight
FP4896	96 x 48 x 3/4 Inch	22 KG

BASE FILLER



Features

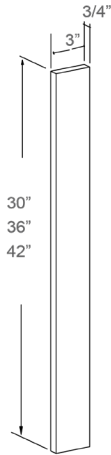
3/4" Solid Wood

Finished on One Face and Two Long Edges

General Info

Item Code	Dimension (WxHxD)	Weight
BF3	3 x 34-1/2 x 3/4 Inch	0.7 KG
BF6	6 x 34-1/2 x 3/4 Inch	1.5 KG

WALL FILLER



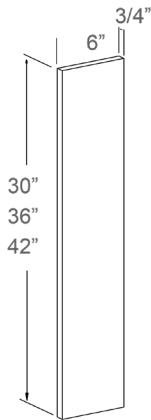
Features

3/4" Solid Wood
 Finished on One Face and Two Long Edges

General Info

Item Code	Dimension (WxHxD)	Weight
WF330	3 x 30 x 3/4 Inch	0.5 KG
WF336	3 x 36 x 3/4 Inch	0.7 KG
WF342	3 x 42 x 3/4 Inch	0.9 KG

WALL FILLER



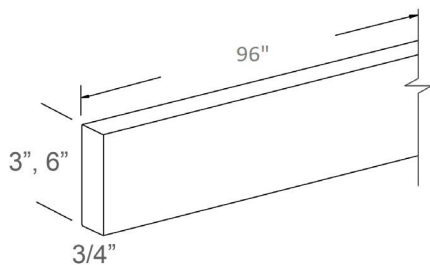
Features

3/4" Solid Wood
 Finished on One Face and Two Long Edges

General Info

Item Code	Dimension (WxHxD)	Weight
WF630	6 x 30 x 3/4 Inch	1.1 KG
WF636	6 x 36 x 3/4 Inch	1.5 KG
WF642	6 x 42 x 3/4 Inch	2.1 KG

TALL FILLER



Features

3/4" Solid Wood
 Finished on One Face and Two Long Edges

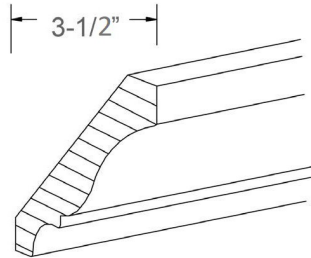
General Info

Item Code	Dimension (WxHxD)	Weight
TF3	3 x 96 x 3/4 Inch	2.8 KG
TF6	6 x 96 x 3/4 Inch	5 KG

MOLDINGS



CROWN MOLDING



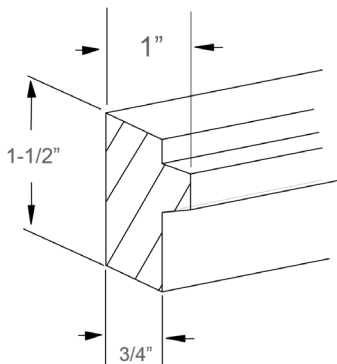
Features

Solid wood
Matching Color

General Info

Item Code	Dimension (WxHxD)	Weight
CM 3 1/2	96x 3-1/2 x 3/4 Inch	3.6 KG

SIMPLICITY LIGHT RAIL MOLDING



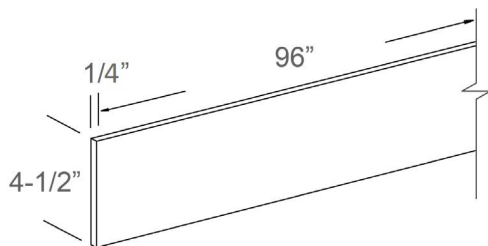
Features

Solid Wood
Matching Color

General Info

Item Code	Dimension (WxHxD)	Weight
LRM	96x 1-1/2 x 1 Inch	1.3 KG

TOE KICK



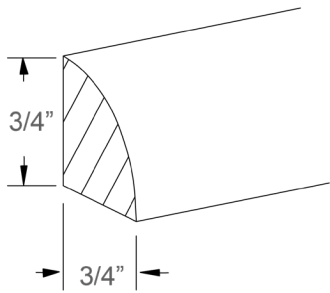
Features

1/5" Thick Panel
Matching Color

General Info

Item Code	Dimension (WxHxD)	Weight
TK8	96 x 4-1/2 x 1/4 Inch	0.6 KG

QUARTER ROUND MOLDING



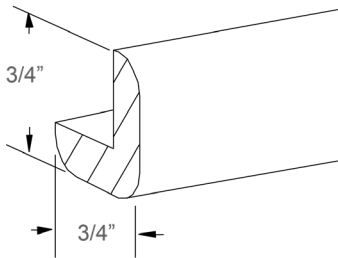
Features

Solid wood
Matching Color

General Info

Item Code	Dimension (WxHxD)	Weight
QR	96 x 3/4 x 3/4 Inch	0.6 KG

OUTSIDE CORNER MOLDING



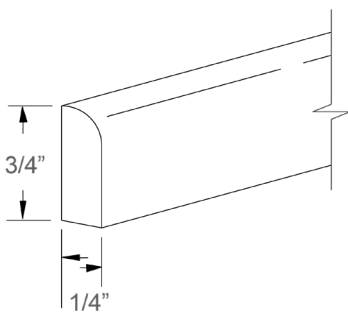
Features

Solid Wood
Matching Color

General Info

Item Code	Dimension (WxHxD)	Weight
OCM	96 x 3/4 x 3/4 Inch	0.45 KG

SCRIBE MOLDING



Features

Solid Wood
Matching Color

General Info

Item Code	Dimension (WxHxD)	Weight
SM	96 x 3/4 x 1/4 Inch	0.3 KG



Deluxe wood[®]

CABINETRY

Connecticut, USA
420 Frontage Rd
West Haven CT, 06516
Email: info@deluxewoodcabinetry.com
Tel: (475)-655-2687
www.deluxewoodll.com

